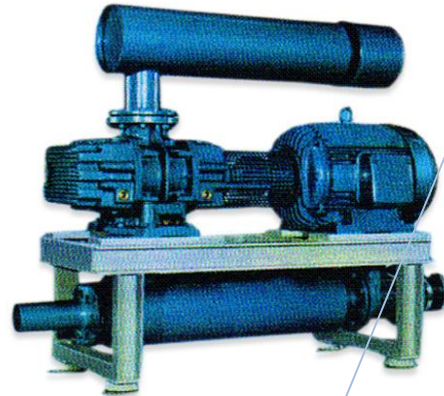


*Manufacturer of Twin/Tri Lobe roots
blower and Mechanical Vacuum
Boosters*



Contact us :

B-16, Sector-81, Phase-II, Noida-201305, U.P, INDIA

Contact:- +91-8826995792, 9555464777

Email:- sales@betablowers.in

Visit: www.betablowers.in

PRODUCT DISPLAY





Government of India
And
Government of Uttar Pradesh
Form GST REG-25

Certificate of Provisional Registration

1.	GSTIN	09AACCB4485H1ZI
2.	PAN	AACCB4485H
3.	Legal Name	BETA MASCHINEN FABRIK PRIVATE LIMITED
4.	Trade Name	M/S BETA MASCHINEN FABRIK PVT.LTD.
5.	Registration Details under Existing Law	
	Act	Registration Number
(a)	TIN under Value Added Tax	09266002007
(b)	Central Sales Tax Registration Number	09266002007
(c)	Entry Tax Registration Number	09266002007
(d)	Service Tax Registration Number	AACCB4485HSD001
(e)	Central Excise Registration Number	AACCB4485HXM001
(f)	Corporate Identity Number / Foreign Company Registration Number	U29299DL2004PTC128489
(g)	Importer / Exporter Code Number	0508027179
Date	27/06/2017	

This is a Certificate of Provisional Registration issued under the provisions of the Act.



CERTIFICATE

*This is to Certify that the
Quality Management System
of*

BETA MASCHINENFABRIK PRIVATE LIMITED

**B 16, SECTOR 81, NOIDA, GAUTAM BUDDHA NAGAR,
UTTAR PRADESH - 201301, INDIA**

**has been independently assessed and is compliant
with the requirements of**

ISO 9001:2015

This certificate is applicable to the following product or service ranges:

**DESIGNING, MANUFACTURING AND SUPPLY
OF TWIN LOBE, BLOWERS FOR
INDUSTRIAL USE**

:: Certificate No :: IN110748A

Date of initial registration	13 November 2017
Date of this certificate	13 November 2017
Surveillance audit on or before	12 November 2018
Recertification Due / Certificate expiry	12 November 2020

**This Certificate is property of LMS Certifications and remains valid
subject to satisfactory surveillance audits.**

Jasvir

Director

For verification and updated information concerning the present certificate visit to www.lmsassessments.com
This Certificate is the property of LMS Certifications Private Limited and shall be returned immediately when demanded.



Accreditation



LMS Certifications Private Limited
1, Ananddham, Opp. Kukrail Picnic Spot Gate,
Farid Nagar, Lucknow - 226015, U.P. (INDIA).
Phone : +91-9554645464
Visit :- www.lmsassessments.com
E-mail :- info@lmsassessments.com



LMS/DAG/F109QA7/R1



INDEX

Annexure-1: List of Approvals

Annexure-2: List of Purchase Order

Annexure-3: List of Appreciations

Annexure-1: List of Approvals

- **Uttar Pradesh Jal Nigam, Uttar Pradesh**
- **Uttrakhand Peyjal Nigam, Uttrakhand**
- **Rajasthan Urban Drinking Water, Sewerage & Infrastructure Corporation (RUDSICO), Rajasthan**
- **Rajasthan Urban Infrastructure Development Project (RUDIP), Rajasthan**
- **Gujrat Water Supply & Sewerage Board (GWSSB), Gujrat**
- **Punjab Water Supply & Sewerage Board (PWSSB), Punjab**
- **Bharat Heavy Electrical Limited - (BHEL)**
- **National Thermal Power Plant - (NTPC)**
- **Gannon Dunkerley & Company Limited - (GDCL)**
- **Hindustan Organic Chemical Limited - (HOCL)**
- **Oil & Natural Gas Corporation Limited - (ONGC)**
- **Bhabha Atomic Research Centre, - Mysore**
- **Jodhpur Pradushan Nivaran Trust, - Rajasthan**

Uttar Pradesh Jal Nigam

कार्यालय, मुख्य अभियन्ता (नि0/इ0), उत्तर प्रदेश जल निगम, लखनऊ

पत्रांक 461 /मु0अ0(नि0इ0)/ 2062- 0063 /10 दिनांक ०९-०७-१०

CERTIFICATE OF ENLISTMENT

समस्त अधीक्षण अभियन्ता(वि0/यौ0)
उ0प्र0 जल निगम।

विषय: मेसर्स बीटा मशीननफैब्रिक (प्रा0) लि0, बी-16, सेक्टर-81, फेस-II, नोएडा द्वारा निर्मित बीटा ब्रान्ड के एयर ब्लोअर को जल निगम में सूचीबद्ध करने के सम्बन्ध में।

मेसर्स बीटा मशीननफैब्रिक (प्रा0) लि0, बी-16, सेक्टर-81, फेस-II, नोएडा द्वारा निर्मित बीटा ब्रान्ड के 'एयर ब्लोअर' का उत्पादन किया जा रहा है। अतः उक्त सामग्री की निविदा आमंत्रित करते समय उक्त मेक को भी सूचीबद्ध करने की कार्यवाही करने का कष्ट करें।

सामग्री की आपूर्ति लेने से पूर्व बी0एस0 1571 Part-II 1975 तथा आई0एस0ओ0 - 9001-2008 का प्रमाण-पत्र की वैधता की जाँच करना भी सुनिश्चित करें। फर्म ने अवगत कराया है कि उक्त आईटम का भारतीय मानक ब्यूरो द्वारा लाईसेन्स निर्गत नहीं गया है। आपूर्ति लेने से पूर्व आईटम की टेस्ट रिपोर्ट की जांच भी करना सुनिश्चित किया जाये। आईटम सूचीबद्ध करने से कान्ट्रैक्ट एवार्ड करने की कोई गारन्टी नहीं है।

(सत्य प्रकाश)

मुख्य अभियन्ता (नि0इ0)

पृ0सं0 एवं दिनांक उपरोक्तानुसार

प्रतिलिपि निम्नलिखित को सूचनार्थ एवं आवश्यक कार्यवाही हेतु प्रेषित-

1. निजी सचिव, प्रबन्ध निदेशक, उ0प्र0 जल निगम, लखनऊ।
2. समस्त मुख्य अभियन्ता, उ0प्र0 जल निगम, लखनऊ।
3. प्रतिलिपि निदेशक, निर्माण एवं परिकल्प सेवाएं/निदेशक, निर्माण एवं परिकल्प सेवाएं (वि0/यौ0) नलकूप विंग, उ0प्र0 जल निगम, लखनऊ।
4. महा-प्रबन्धक, निर्माण एवं परिकल्प सेवाएं (वि0/यौ0), नलकूप विंग, उ0प्र0 जल निगम, लखनऊ।
5. प्रतिलिपि समस्त अधिशासी अभियन्ता, उ0प्र0 जल निगम।
6. प्रतिलिपि परियोजना प्रबन्धक (वि0/यौ0), निर्माण एवं परिकल्प सेवाएं (वि0/यौ0) नलकूप विंग, उ0प्र0 जल निगम, लखनऊ/इलाहाबाद/नोएडा /मेरठ।
7. मेसर्स बीटा मशीननफैब्रिक (प्रा0) लि0, बी-16, सेक्टर-81, फेस-II, नोएडा को सूचनार्थ प्रेषित।

मुख्य अभियन्ता (नि0इ0)

Punjab Water Supply & Sewerage Board

Registered

C:\2010\Approval Makes\Approval-Beta blowers-260810.doc

**Punjab Water Supply & Sewerage Board
1-B, Sector 27-A, Chandigarh**

From

Managing Director

To

✓
M/S Beta Maschinenfabrik (P) Ltd.,
B-16, Sector-81, Phase-II,
NOIDA-201305 (U.P.)
Phone:0120-3047081-86
Fax:0120-3047086
e-mail:info@betablowers.com

No.PWSSB-10/D-2/ 19367

Dated: 30.08.10

Subject: Regarding approval of Make/Quality of Beta Blowers.

Reference your letter no.BETA/PRO/PWSSB/002 dated 31.03.2010, no.006 dated 20.05.2010 and no.007 dated 25.06.2010, on the subject cited above.

2. It is to inform you that your make "Beta Blowers" is included in the list of approved makes of this organization please.


Executive Engineer (D-II)
for Managing Director

Endst.No.PWSSB-10/D-2/ 19368-91

Dated: 30.08.10

- Copy of above is forwarded to the:-
1. Superintending Engineer, Punjab W/S & Sewerage Circle, Amritsar/Bathinda/Jalandhar/Ludhiana/Patiala;
 2. All Executive Engineers of Punjab W/S & Sewerage Board in the field;
 3. Executive Engineer (D-I)/(D-III)/(Works)/(Quality Control), PWSSB, Head Office, Chandigarh;
for information and necessary action.


Executive Engineer (D-II)
for Managing Director

Rajasthan Urban Drinking Water, Sewerage & Infrastructure
Corporation (RUDSICO)



SHAH TECHNICAL CONSULTANTS PRIVATE LIMITED

In Association WITH

**TANDON URBAN SOLUTIONS PVT. LTD. & CONSULTING ENGINEERS
GROUPLTD.**

**PROJECT DEVELOPMENT AND MANAGEMENT CONSULTANT (PDMC) FOR ATAL MISSION FOR
REJUVENATION AND URBAN TRANSFORMATION (AMRUT) IN RAJASTHAN**

Phone: 0141-5114001

Email: pdmc.amrut@stc.co.in

Ref. STC/JP/PDMC/2936

Date: 10.09.2018

To
The Executive Engineer,
Municipal Corporation
Bikaner, Rajasthan

Sub: Regarding vendor approval of M/s Beta Machinefabrik Pvt. Ltd. for Beta Make Blower for Bikaner
Town.

Ref: 1. EIEPL/Nagar Nigam/Bikaner/20&12MLD/2k18-2k19/038 dated 02.07.2018.
2. STC/JP/PDMC/2769 dated 03.08.2018
3. EIEPL/Nagar Nigam/Bikaner/20&12MLD/2k18-2k19/044 dated 31.08.2018

Dear Sir,

With reference to above cited subject, the M/s BIPL-EIEPL (JV) had submitted the request for the vendor approval of M/s Beta Machinefabrik Pvt. Ltd. for Beta Make Blower for Bikaner town. The documents pertaining to M/s Beta Machinefabrik Pvt. Ltd. was scrutinized by our Expert & the same is recommended for vendor approval.

Yours sincerely
For Shah Technical Consultants Pvt. Ltd.

Bharat Kumar Singhal
Team Leader
PDMC-AMRUT, Jaipur

for



CC: 1. Additional Chief Engineer (UI) RUDSICO, Jaipur
2. M/s BIPL-EIEPL (JV)
3. DTL/ACM, Bikaner

Uttarakhand Peyjal Nigam



ई-मेल :- pm.mech@live.in

कार्यालय परियोजना प्रबन्धक (यांत्रिक), निर्माण एवं अनुरक्षण इकाई (गंगा), उत्तराखण्ड पेयजल निगम, हरिद्वार

सेवा में,

आस्था ऐन्वायरो इंजीनियरिंग,
प्लॉट नं०-543 (वाई), सेक्टर-37, पेस सीटी-II,
गुडगांव (हरियाणा)
<aasthaenvirogroup@gmail.com>

प्रेषण का माध्यम ई-मेल डाक

पत्रांक

01 / अक्षय हरिद्वार /

दिनांक: 4/5/18

विषय:-
महोदय,

D.G. Set, Volute Press एवं Blowers की Testing के सम्बन्ध में।

उपरोक्त विषयक अवगत कराना है कि श्री आशीष कुमार चौहान, (परियोजना अभियन्ता, मो०नं०-8755383450) एवं श्री नारायण सिंह (अपर परियोजना अभियन्ता, मो०नं०-7579445966) निम्नलिखित तिथियों को टेस्टिंग हेतु उपलब्ध रहेंगे।

अतः उक्त तिथियों को निम्न अनुबन्ध के अन्तर्गत फेक्ट्री टेस्टिंग करवाना सुनिश्चित करें।

Sr. No.	Bond No.	Item	Date
1.	C.B. No. 16/GM/2017-18 (2.0 MLD STP Upgradation, Gyansu)	Beta Make, Blowers, 04 Nos. (450 M ³ /hr at 6000 mm wc)	07/05/2018
		Micro Transmission Make, Volute Press, 01 Nos. (5 M ³ /hr)	08/05/2018
2.	C.B. No. 10/GM/2017-18 (50 KLD STP, Kirtinagar)	Ex-Therm Make Centrifuge, 01 Nos.	08/05/2018
3.	C.B. No. 14/GM/2017-18 (1.0 MLD STP & 10 KLD STP, Badrinath)	Beta Make, Blowers, 02 Nos. (15 M ³ /hr at 2500 mm wc)	07/05/2018
		Beta Make, Blowers, 02 Nos. (960 M ³ /hr at 6000 mm wc)	07/05/2018
		Kirloskar Make, D.G. Set, 01 Nos. (15 KVA)	09/05/2018
		Kirloskar Make, D.G. Set, 01 Nos. (100 KVA)	09/05/2018

भवदीया

(चरु अश्वी)
(चरु अश्वी)

परियोजना प्रबन्धक
दिनांक 4/5/18

पू०सं०

01 / अक्षय हरिद्वार /

प्रतिलिपि :- निम्नलिखित को सादर सूचनाार्थ एवं आवश्यक कार्यवाही हेतु प्रेषित।

- श्री आशीष कुमार चौहान, परियोजना अभियन्ता।
- श्री नारायण, अपर परियोजना अभियन्ता।

(चरु अश्वी)
परियोजना प्रबन्धक

Uttar Pradesh Jal Nigam 74 MLD STP at Indrapuram Ghaziabad

Capacity: 6100 m³/hr, Pressure : 0.7 kg/cm²



PURCHASE ORDER

PC Snehal Construction Private Limited (RUDISCO-JAIPUR)

Project: 3 MLD STP NAWALGARH- RAJASTHAN

1240 m3/hr @ 0.7 kg/cm2 TRI-LOBE



P C Snehal Construction Pvt. Ltd.



Ref. :- PCSCPL/ P07/RUDISCO /PO / 2019 – 20/ 488A

Date: - October 10, 2019

To,
BETA MASCHINENFABRIK PVT. LTD.
B-16,SECTOR-81,PHASE-2,
NOIDA -201305
Contact Person: Kuldeep Rathore
09555464777

Name of Work: Providing, Laying, Jointing and Commissioning of sewer system and all ancillary works along with Design, Construction, Supply, Installation, Testing and Commissioning (Civil, Mechanical, Electrical and other necessary works) of SPS and STPs with provision of reuse of treated waste water including one year Defect liability & thereafter 10 years O & M at Ramgarh Shekhawati, Laxmangarh, Chirawa and Nawalgarh Towns.

Reference: Your Techno - Commercial offer mail dated.05.10.2019

Subject: Purchase Order for Supply of Blower.

Dear Sir,

This has reference to Your Techno - Commercial offer mail dated.05.10.2019. In line with the same, we are pleased to confirm Order for the supply of Blower as per attached Annexure for our Under Ground Drainage Project at Nawalgrah Town as per the following terms and conditions.

Commercial Terms and Conditions:

Specification: As per attached Technical volume.

Taxes & Duties : The rates are included of Freight and GST will be extra as applicable.

Approval of QAP: You shall submit all necessary QAP/ Data Sheet/ Drawings/Credentials within 7 working days after receipt of this order to our Client/Consultant for approval. The QAP detail is as under.

Title block for QAP:

Name of Client: RUDISCO, Jaipur
Name of Contractor: PC Snehal Construction Pvt. Ltd.
Name of work: As mentioned in Reference.

Registered Office :

G. F. Pravesh Appr., I D, Mahadevnagar Society, Lane - 5, Nr: Sardar Patel Statue,
Stadium Road, Narasapura, Amdavad - 380 014, (Gujarat)
Phone : (079) 26440618, 26430464, Email : pcsnehal@pcsnehal.com, pcsnehal@yahoo.com.
Website : www.pcsnehal.com
CIN:U45309GJ2017PTC098059



"Committed to Quality Construction"



P C Snehal Construction Pvt. Ltd.



We trust the above Purchase Order is in line. In case, the Documents are not approved, the order will be treated as cancelled. Kindly acknowledge the receipt of the same duly signed and stamped as a token of Acceptance for our record. Also, arrange to submit the Credentials and QAP as per the attached format.

Thanks and Regards,

AUTHORIZED SIGNATORY

Encl. Annexure I

Annexure - 1

Sr No	Description	Price Each	Qty	Total price
1	Blower Model BR-24.12 -TL 1470 RPM with Motor	338000.00	2	676000.00
			Total Amount	676000.00

Registered Office :

G. F. Pravesh Appr., I D, Mahadevnagar Society, Lane - 5, Nr: Sardar Patel Statue,
Stadium Road, Narasapura, Amdavad - 380 014, (Gujarat)
Phone : (079) 26440618, 26430464, Email : pcsnehal@pcsnehal.com, pcsnehal@yahoo.com.
Website : www.pcsnehal.com
CIN:U45309GJ2017PTC098059



"Committed to Quality Construction"

UEM India Pvt. Ltd. (Toshiba Group) 74 MLD STP at Indrapuram Ghaziabad
Capacity: 6100 m3/hr, Pressure: 0.7 kg/cm2

UEM INDIA PVT. LTD

PURCHASE ORDER



Billing Address
UEM INDIA PVT. LTD
 13/19, SHARMA MARKET
 HAROLA, SECTOR - 5
 NOIDA U.P
 TTN.NO. 09365800207

Corporate Office : 2nd & 3rd Floor, Tower – B, A-1
 Windsor Park, Sector-125, Noida – 201 301 (UP)
 Tel: 0120-917000 - 02, Fax: 0120-3817005
 Email: uemindia@uemgroup.com
 Regd. Office : D-19, Kalkaji, New Delhi -110 019.

Vendor Name and Address:
Beta Maschinenfabrik (P) Ltd
 BETA MASCHINENFABRIK (P) LTD
 B-16, SECTOR 81, PHASE - II
 NOIDA -201305
 G.B. NAGAR , (U.P) INDIA
 MOB. 09312661693, 09313151569
 E_mail : sales@betablowers.in
 info@betablowers.in

Project UPJN-GHA
Delivery Date 3-4 MONTH OF CONF. PO
PO no. UEM/10-310141028/INDRAPURAM-GZB-S
PO Date TP-94
 22/03/11
Party Ref.No. YOUR QUOTATION DATED 08.03.11
Delivery Address SAME AS CONSIGNEE
Price Basis EX-WORKS, NOIDA
Mode of Delivery BY ROAD
Transit Insurance UEM
Inspecting Agency UEM/UPJN/TPI

Kindly supply the following items subject to Terms & Conditions mentioned therein and specific Purchase Terms & General Purchase Conditions attached herewith.

#	Description	Units	QTY.	Unit Price	Net Amt.	P&F	Excise	CST/VAT	Total
1	TWIN LOBE BLOWER(WATER COOLED)ALONG WITH STANDARD ACCESSORIES W/O ELECTRIC MOTOR AS PER DATA SHEET	NOS	8	INR 530,000.00	4,240,000.00	0.00	436,720.00	631,357.20	INR 5,308,056.00
					4,240,000.00		436,720.00	631,357.20	INR 5,308,056.00

Note:

- Consignee** UEM INDIA PRIVATE LIMITED
 UPJN INDRAPURAM, SHAKTI KHAND IV,
 NEAR DELHI PUBLIC SCHOOL, INDRAPURAM
 GHAZIABAD (U.P)
- Packaging and Forwarding** CONTACT PERSON, MR. MUKESH MOB 9711149390 & MR. AMIT PATHAK MOB. -9958792950
 NIL
- Excise Duty** EXTRA @10.3%
- CST/VAT** VAT EXTRA @13.5%
- Freight** EXTRA AT ACTUAL
- Payment Terms** 20% ADVANCE BALANCE 80% WITH IN 30 DAYS FROM DATE OF DISPATCH.
- Remarks** TEST CERTIFICATE TO BE PROVIDED ALONG WITH MATERIAL.

Guarantee: In case any defect in any material is found during execution at site then you will arrange to replace the same at your cost and guarantee period will be 12 months from the date of commissioning or 18 months from the date of despatch whichever is earlier.

Authorized By

V.S.V.S. SUDHAKARA RAO

NOTE: This Purchase Order shall be executed in strict accordance with documents mentioned below and made an integral part thereof and shall be deemed to cancel all sales and other conditions of the vendor except those which are otherwise modified as per "Agreed Variations" detailed in this order. The Terms and Conditions overleaf.

Acceptance by Vendor

Signature
 Stamp
 Date

Accepted Copies of Order to be signed and returned by Vendor within 10 days from the date hereof.

UEM India Pvt. Ltd. (Toshiba Group) CETP at HSIIDC Manesar Gurgaon

Capacity: 2500 m3/hr, Pressure: 0.57 kg/cm2

UEM INDIA PVT. LTD

CIN : U81909DL1984PTC017765

PURCHASE ORDER



Billing Address UEM India Pvt. Ltd. C/o. Haryana State Industrial & Infrastructure Development Corporation Ltd, IMT, Manesar, Dist: Gurgaon, Haryana. TIN No. 06282614242.	Corporate Office : 2nd & 3rd Floor, Tower - B, A-1 Windsor IT Park, Sector-125, Noida - 201 301 (UP) Tel: 0120-3817000 - 04. Fax: 0120-3817005 Email: uemindia@uemgroup.com Regd. Office : D-19, Kalkaji, New Delhi -110 019.
Vendor Name and Address Beta Maschinenfabrik (P) Ltd B 14, Sector - 81, G.B. Nagar, Noida-201305 Uttar Pradesh-India PAN NO AACCB4485H TIN NO 09266002007 Ser.Tax NO Phone/Mobile 0120-3047081/5 / 08826995977	Project HSIIDC Manesar (CETP) Delivery Date 12/03/15 PO No. UEM/PO 1415101045 /HSIIDC Manesar PO Date 12/01/15 (CETP) Amend.No & Dt. Party Ref.No. BETA/UEMIPL/Q-7067-B Price Basis FOR Site. Transit Insurance UEM Scope. Inspecting Agency UEM/HSIIDC/TPI. Mode of Delivery By Road

Kindly supply the following items subject to Terms & Conditions mentioned therein and specific Purchase Terms & General Purchase Conditions attached herewith. (Please Note rate are firm and fixed and shall not be increased during the tenure of this work)

#	Description	Units	QTY.	Unit Price	Net Amt.	F&F	Exche	CSI/VAT	Total
1	Supply of Air Blower for Air Injection for Aeration Tank, Model No.: BR 25 15AC, Flow: 2500 m3/hr, Head: 5.7 m3/hr, Speed: 1682 RPM, Differential Pressure: 0.57 kg/cm2, BCKW 52.41, Tag No. BR 2-40 A/B/C/D/E complete with accessories as per data sheet & specification attached for 25 MLD Plant	Nos.	4			0.00			
2	Accessory for tower (food) to reduce noise level by 10-15 db at 1.5 m distance in free field condition, Model No.: BR 25 15AC for 25 MLD Plant	Nos.	4			0.00			
3	Electric Motor 75 KW, Speed: 1500 RPM, Make: ABB/Siemens/CGL for 25 MLD Plant	Nos.	4			0.00			
4	First Fill Oil (Synthetic) for each blower, Model No: BR 25 15AC for 25 MLD Plant	Nos.	4			0.00			
5	Supply of Air Blower for Aeration Tank, Model No.: BR 24 13AC, Flow: 2035 m3/hr, Head: 5.7 m3/hr, Speed: 1675 RPM, Differential Pressure: 0.57 kg/cm2, BCKW 40.38 complete with accessories as per data sheet & specification attached for 20 MLD Plant	Nos.	3			0.00			

(Signature)

(Signature)

(Signature)

1/8

UEM India Pvt. Ltd. (Toshiba Group) CETP at HSIIDC Manesar Gurgaon
Capacity: 2035 m3/hr, Pressure: 0.57 kg/cm2

UEM INDIA PVT. LTD

CIN : U61909DL1984PTC017766



PURCHASE ORDER

#	Description	Units	QTY.	Unit Price	Net Amt.	P&F	Excise	CST/VAT	Total
6	Acoustic Enclosure (Hood) to reduce noise level by 10-15 dba at 1.5 M distance, Model No. : BR 24.13AC for 30 MLD	Nos.	3			0.00			
7	Electric Motor 55 KW, Speed : 1500 RPM, Make : ABB/CCL for 30 MLD Plant	Nos.	3			0.00			
8	First Fill Oil (Synthetic Base) for each blower, Model No. : BR 24.13AC for 30 MLD Plant	Nos.	3			0.00			
Total						0			

Amount in Words: Thirty Four Lakhs Ninety Five Thousand Five Hundred Twenty One only

- | | | | |
|------------------|---|-----------|-----------------------------|
| 1. Consignee | UEM India Pvt. Ltd. C/o. Haryana State Industrial & Infrastructure Development Corporation Ltd., IMT, Manesar, Dist: Gurgaon, Haryana. TIN No. 06282614242. Contact Person : Mr. Mukesh Verma - 08860931321. | Form Type | C Form - (Central Purchase) |
| 2. P & F | Inclusive. | | |
| 3. Excise Duty | E.D. @ 12.36% is included in the total price. | | |
| 4. CST/VAT | CST @ 2% against Form "C" is included in the total price. | | |
| 5. Freight | Inclusive. | | |
| 6. TDS | N.A. | | |
| 7. Payment Terms | 10% on submission of Cheque as security deposit & 90% thru interest free Irrevocable LC with usance period of 75 days on submission of dispatch docs. & 10% CPBG LC shall be opened for 90 days before shipment & interest for remaining period in UEM A/c. | | |
| 8. Remarks | Refer attached Annexure - I & II. | | |

NOTE: This Purchase Order shall be executed in strict accordance with documents mentioned below and made an integral part thereof and shall be deemed to cancel all sales and other conditions of the vendor except those which are otherwise modified as per "Agreed Variations" detailed in this order. The Terms and Conditions overleaf.

Challan, Quality Certificate, Lorry Receipt, Packing List, copy of Road Permit is forwarded with Invoice/Payment request.

FOR UEM INDIA PVT. LTD.

Satyendra Singh

 Satyendra Singh - Associate Vice
 President

Acceptance by Vendor

Signature
 Stamp
 Date

Accepted Copies of Order to be signed and returned by Vendor within 10 days from the date hereof.

Amr

UEM India Pvt. Ltd. (Toshiba Group) CETH at IOCL-PTA-III Panipat Haryana
Capacity: 3000 m3/hr, Pressure: 0.57 kg/cm2

UEM INDIA PVT. LTD.

CIN : U51909DL1984PTC017765

PURCHASE ORDER



Billing Address UEM India Pvt. Ltd., 50MLD STP at Sona Road, Near Sector - 48, Near Central Park - II, Gurgaon - 112001. TIN: 06282614242.		Corporate Office : 2nd & 3rd Floor, Tower - B, A-1 Windsor IT Park, Sector-125, Noida - 201 301 (UP) Tel: 0120-3817000 - 02, Fax: 0120-3817005 Email: uemindia@uemgroup.com Regd. Office : D-19, Kalkaji, New Delhi -110 019.	
Vendor Name and Address: Beta Maschinenfabrik (P) Ltd B 16, Sector 81 G.b. Nagar Noida-201305 Uttar Pradesh-India PAN NO AACCB4485H TIN NO .09266002007 Ser.Tax NO Phone/Mobile 0120-3047086 / 09873725723		Project IOCL PANIPAT PTA III Delivery Date 15/02/15 PO No. UEM/PO 1415101009 /IOCL PANIPAT PO Date 02/01/15 PTA.III Amend.No & Dt. Party Ref.No. Price Basis FOR Site. Transit Insurance Vendor Scope. Inspecting Agency By UEM. Mode of Delivery By Road	

Kindly supply the following items subject to **Terms & Conditions mentioned therein and specific Purchase Terms & General Purchase Conditions** attached herewith. (Please Note rate are firm and fixed and shall not be increased during the tenure of this work).

#	Description	Units	QTY.	Unit Price	Net Amt.	P&F	Excise	CST/VAT	Total
1	Oil Injection Pumps for Removing for Blower Gear-- 1. Oil Injection Pump OIP-02 (Pressure Capacity 3000 g/cm2) with pump bracket and handle. 2. Feeder Bottle FB-02 (Reservoir Capacity 200cm3). 3. High Pressure Flexible Tubing FHT-01.	Lot	1	52,000.00	52,000.00	0.00	0.00	7,280.00	59,280.00
Total					52,000.00	0		7,280.00	59,280.00

Amount in Words: Fifty Nine Thousand Two Hundred Eighty only

Notes:

1. Consignee	Giddi Sreenivas C/o. R.N: Garg, Door No : 36/20, 8- Marla, Panipat - 132103 Haryana. Contact : 8053488705.	Form Type	No Form - (Central Purchase)
2. P & F	Inclusive.		
3. Excise Duty	N.A.		
4. CST/VAT	CST @ 14% is included in the total price.		
5. Freight	Inclusive.		
6. TDS	N.A.		
7. Payment Terms	100% payment within 30 days from the date of material received at site.		
8. Remarks	Guarantee: 12 months from the date of dispatch.		

08527897702
Mr. Chandan

NOTE: This Purchase Order shall be executed in strict accordance with documents mentioned below and made an integral part thereof and shall be deemed to cancel all sales and other conditions of the vendor except those which are otherwise modified as per "Agreed Variations" detailed in this order. The Terms and Conditions overleaf.

Challan, Quality Certificate, Lorry Receipt, Packing List, copy of Road Permit is forwarded with Invoice/ Payment request.

FOR UEM INDIA PVT. LTD. _____ Satyendra Singh - Associate Vice President (Signature)	Acceptance by Vendor Signature Stamp Date Accepted Copies of Order to be signed and returned by Vendor within 10 days from the date hereof.
---	---

*Freight to pay
Tele Billing Chandan 15/2/15*

Gannon Dunkerley Corporation Limited (GDCL)

Project: Patiala- 2 MLD STP, 3 MLD STP, 5 MLD STP

750 m3/hr @ 0.57 kg/cm2, 900 m3/hr @ 0.6 kg/cm2, 1000 m3/hr @ 0.6 kg/cm2 1110 m3/hr @ 0.57 kg/cm2



GSTIN : 03AACAG6716C1Z9
PAN : AACAG6716C
E-Mail : delhiwtd@gdcl.in

GDCL-KRISHNA JV

B-228, OKHLA INDUSTRIAL AREA, PHASE-I, NEW DELHI-110020
Phone:91-11-42785500, 91-11-40589700 Fax:91-11-42785512

Ref. P.O. No: WT: ND: 089: G: 10 0 1 1 1 1

Date: 25.01.2019

M/s Beta Maschinenfabrik (P) Ltd.
B-16, Sector - 81, Phase - II,
Noida - 201305

Kind Attn: - Mr. Ravi Shankar Sharma (Mob.: 8826995792)
Email: - ravishankar@betablowers.in

Sub: Purchase order for supply of Air Blower for our Patiala Project, Punjab.

Dear Sir,

With reference to the above, we are pleased to issue this Purchase Order on you for the supply of Air Blower with following terms and conditions mentioned hereunder.

S. No.	Item Description	Qty	Unit	Unit Rate	Amount
1	Air Blower, Capacity: - 750 Nm3/Hr, Head: - 5.7 Mtr, Pressure: - 0.57 Kg/cm2, with motor.	2	No	166240.00	332840.00
2	Air Blower, Capacity: - 900 Nm3/Hr, Head: - 6 Mtr, Pressure: - 0.6 Kg/cm2, with motor.	3	No	179372.00	538116.00
3	Air Blower, Capacity: - 1000 Nm3/Hr, Head: - 6 Mtr, Pressure: - 0.6 Kg/cm2, with motor.	3	No	184082.00	552246.00
4	Air Blower, Capacity: - 1110 Nm3/Hr, Head: - 5.7 Mtr, Pressure: - 0.57 Kg/cm2, with motor.	3	No	247118.00	741354.00
Total Rs.					2164556.00

(Rupees Twenty-One Lacs Sixty-Four Thousand Five Hundred Fifty-Six Only)

Note: -

- Above order price are all inclusive of accessories (Common base frame for motor & blower, Slide rails for motor, Reactive Silencer, Discharge Silencer, Spring loaded safety valve, Non-Return Valve, Drive & Driven Pulleys, V-Belts, V-Belt Guard, Anti Vibration Pads, Foundation bolts, other fasteners to tighten the accessories etc.
- All technical details to be meet as per our specification and DNIT documents.

Commercial Terms and Conditions as under: -

- Prices : FOR Site.
- Loading Charges : In your scope.
- Unloading : In our scope.
- Packing & Forwarding Charge : Inclusive
- GST : Extra @ 18%.
- Delivery : Within 3 months.
- Billing Address : **M/s GDCL-KRISHNA JV.**
House No. -27, Silver City, Mansa, Punjab
GSTIN - 03AACAG6716C1Z9
- Delivery Address : Executive Engineer,
Punjab Water Supply & Sewerage Division
Sirhind/Bassi Pathana, Fatehgarh Sahib,
Patiala, Punjab, A/c. GDCL-KRISHNA JV

[Handwritten signatures and initials]

Gannon Dunkerley Corporation Limited (GDCL)

Project: Mansa - 3 MLD WTP, 5 MLD STP

850 m3/hr @ 0.35 kg/cm2, 900 m3/hr @ 0.6 kg/cm2



GSTIN : 03AACAG6716C1Z9
PAN : AACAG6716C
E-Mail : delhiwtd@gdcl.in

GDCL-KRISHNA JV

B-228, OKHLA INDUSTRIAL AREA, PHASE-I, NEW DELHI-110020
Phone:91-11-42785500, 91-11-40589700 Fax:91-11-42785512

Ref. P.O. No: WT: ND: 088: G:

Date: 25.01.2019

M/s Beta Maschinenfabrik (P) Ltd.
B-16, Sector - 81, Phase - II,
Noida - 201305

Kind Attn: - Mr. Ravi Shankar Sharma (Mob.: 8826995792)
Email: - ravishankar@betablowers.in

Sub: Purchase order for supply of Air Blower for our Mansa Project, Punjab.

Dear Sir,

With reference to the above, we are pleased to issue this Purchase Order on you for the supply of Air Blower with following terms and conditions mentioned hereunder.

S. No.	Item Description	Qty	Unit	Unit Rate	Amount
1	Air Blower, Capacity: - 850 Nm ³ /Hr, Head: - 3.5 Mtr, Pressure: - 0.35 Kg/cm ² , with motor.	2	No	138945.00	277890.00
2	Air Blower, Capacity: - 900 Nm ³ /Hr, Head: - 6 Mtr, Pressure: - 0.6 Kg/cm ² , with motor.	2	No	179372.50	358745.00
Total Rs.					636635.00

(Rupees Six Lacs Thirty-Six Thousand Six Hundred Thirty-Five Only)

Note: -

- Above order price are all inclusive of accessories Common base frame for motor & blower, Slide rails for motor, Reactive Silencer, Discharge Silencer, Spring loaded safety valve, Non-Return Valve, Drive & Driven Pulleys, V-Belts, V-Belt Guard, Anti Vibration Pads, Foundation bolts, other fasteners to tighten the accessories etc.
- All technical details to be meet as per our specification and DNIT documents.

Commercial Terms and Conditions as under: -

- Prices : FOR Site.
- Loading Charges : In your scope.
- Unloading : In our scope.
- Packing & Forwarding Charge : Inclusive
- GST : Extra @ 18%.
- Delivery : Within 3 months.
- Billing Address : **M/s GDCL-KRISHNA JV.**
House No. -27, Silver City, Mansa, Punjab
GSTIN - 03AACAG6716C1Z9
- Delivery Address : Executive Engineer,
Punjab Water Supply & Sewerage Division
Sirhind/Bassi Pathana, Fatchgarh Sahib,
Patiala, Punjab, A/c. GDCL-KRISHNA JV
- Transit Insurance : On your account.
- Payment Terms : 100% payment with 45 days credit from material receipt
along with 10% PBG valid till warranty period.

Aastha Enviro Engineers Pvt. Ltd.
Project: Mansa - 2 MLD STP at Gyansu
Uttarakhand Peyjal Nigam
450 m3/hr @ 0.6 kg/cm2



AASTHA ENVIRO ENGINEERS PVT. LTD.

(An ISO 9001-2008 Certified Company)
Comprehensive Solutions For Water & Waste Water Treatment



Ref.: AEEPL/UKPTN/G/03

Date: 18/01/2018

To,

Project Manager(Mech.),
Construction Circle (Ganga)
Uttarakhand Peyjal Nigam, Haridwar

Subject : Issue of Inspection Request for material of work named "Up-gradation Of Existing 2 MLD Capacity Sewage Treatment Plant at Gyansu with tertiary treatment and Installation of Online Monitoring System on DBOT Model Including 15 Year O&M"

Ref : Letter No. 4899 / Lekha-6 / 1029 Dated 06-11-2017

Dear Sir,

In reference to above mentioned subject we are planning to start Inspection from 22nd Jan 2018 for following Equipment. Kindly confirm the same.

Sr. No.	Description	Quantity	Make of Material
1	Air Blower Capacity: 450 m3/hr@ 6000 mmwc	4 Nos.	Beta
2	DG Set Capacity:- 75 KVA	1 No.	Mahindra

With Regards,

For AASTHA ENVIRO ENGINEERS PVT. LTD.


Chandrabhan Singh

(Director) *

Mob: +91- 98100 21137

Enclosed:- Approved technical data sheet & design from IIT Roorkee.

Aastha Enviro Engineers Pvt. Ltd.
Project: Mansa - 3 MLD STP at Swargsharam
Uttarakhand Peyjal Nigam
450 m³/hr @ 0.6 kg/cm²



AASTHA ENVIRO ENGINEERS PVT. LTD.
(An ISO 9001-2008 Certified Company)
Comprehensive Solutions For Water & Waste Water Treatment



Ref.: AEGPL/UKPTN/Swg/032

Date: 18/01/2018

To,

**Project Manager(Mech.),
Construction & Maintenance Unit
(Ganga), Uttarakhand Peyjal Nigam,
Haridwar, Uttarakhand**

Subject : Issue of Inspection Request for material of work named "Upgradation Of Existing 3 MLD STP At Swargasharm For Tertiary Treatment And Installation Of Online Monitoring System On DBOT Model Including 15 Year O&M Under Namami Gange Programme."

Ref. No. : Letter No. 61/ Swargashram /01 Dated 11-01-2018

Dear Sir,

In reference to above mentioned subject we are planning to start Inspection from 22nd Jan 2018 for following Equipment. Kindly confirm the same.

Sr. No.	Description	Quantity	Make of Material
1	Air Blower Capacity: 450 m ³ /hr@ 6000 mmwc	2 Nos.	Beta
2	DG Set Capacity:- 40 KVA	1 No.	Mahindra

With Regards,

For AASTHA ENVIRO ENGINEERS PVT. LTD.


Charan Bhan Singh
(Director) *

Mob: +91- 98100 21137

Enclosed:- Approved Design & Technical Data sheet from IIT Roorkee.

Aastha Enviro Engineers Pvt. Ltd.

Project: Mansa - 1 MLD STP and 10 KLD Badrinath Uttarakhand Peyjal Nigam

960 m³/hr @ 0.6 kg/cm² and 15 m³/hr @ 0.25 kg/cm²



ई-मेल :- pm.mech@live.in

कार्यालय परियोजना प्रबन्धक (यांत्रिक), निर्माण एवं अनुरक्षण इकाई (गंगा), उत्तराखण्ड पेयजल निगम, हरिद्वार

सेवा में,

प्रेषण का माध्यम ई-मेल डाक

आस्था एन्वायरो इंजीनियर्स प्रा. लि.,
प्लॉट नं०-543 (वाई), सेक्टर-37, पेस सीटी-II,
गुडगांव (हरियाणा)
<aasthaenvirogroup@gmail.com>

पत्रांक

01 / अक्षय हरिद्वार /

दिनांक: 4/5/18

विषय:-
महोदय,

D.G. Set, Volute Press एवं Blowers की Testing के सम्बन्ध में।

उपरोक्त विषयक अवगत कराना है कि श्री आशीष कुमार चौहान, (परियोजना अभियन्ता, मो०नं०-8755383450) एवं श्री नारायण सिंह (अपर परियोजना अभियन्ता, मो०नं०-7579445966) निम्नलिखित तिथियों को टेस्टिंग हेतु उपलब्ध रहेंगे।

अतः उक्त तिथियों को निम्न अनुबन्ध के अन्तर्गत फेक्ट्री टेस्टिंग करवाना सुनिश्चित करें।

Sr. No.	Bond No.	Item	Date
1.	C.B. No. 16/GM/2017-18 (2.0 MLD STP Upgradation, Gyansu)	Beta Make, Blowers, 04 Nos. (450 M ³ /hr at 6000 mm wc)	07/05/2018
		Micro Transmission Make, Volute Press, 01 Nos. (5 M ³ /hr)	08/05/2018
2.	C.B. No. 10/GM/2017-18 (50 KLD STP, Kirtinagar)	Ex-Therm Make Centrifuge, 01 Nos.	08/05/2018
3.	C.B. No. 14/GM/2017-18 (1.0 MLD STP & 10 KLD STP, Badrinath)	Beta Make, Blowers, 02 Nos. (15 M ³ /hr at 2500 mm wc)	07/05/2018
		Beta Make, Blowers, 02 Nos. (960 M ³ /hr at 6000 mm wc)	07/05/2018
		Kirloskar Make, D.G. Set, 01 Nos. (15 KVA)	09/05/2018
		Kirloskar Make, D.G. Set, 01 Nos. (100 KVA)	09/05/2018

भवदीया

(Handwritten Signature)
(चारु अश्वलि)

परियोजना प्रबन्धक

दिनांक 4/5/18

पृ०सं०

01 / अक्षय हरिद्वार /

प्रतिलिपि :- निम्नलिखित को सादर सूचनार्थ एवं आवश्यक कार्यवाही हेतु प्रेषित।

- श्री आशीष कुमार चौहान, परियोजना अभियन्ता।
- श्री नारायण, अपर परियोजना अभियन्ता।

(Handwritten Signature)
परियोजना प्रबन्धक

Indian Institute of Technology Delhi



INDIAN INSTITUTE OF TECHNOLOGY Department of Mechanical Engineering

Dr. Ashish K Darpe
Associate Professor

Hauz Khas, New Delhi - 110016, INDIA.

Phone (O) : +91-(0)11-26596095

Phone (R) : +91-(0)11-26591618

Fax : +91-(0)11-26582053

E-mail : akdarpe@mech.iitd.ernet.in

16/3/2015

For: Department of Trade & Taxes, Government of N.C.T. of Delhi

IIT Delhi has placed the order for blowers and accessories on Beta Machinenfabrik (P) Ltd. as per the following details:

Invoice No. 579 dt. 16-3-2015

Invoice amount with all taxes: Rs 93,470

Invoice amount without taxes: Rs 80,500

Total Nugs: 5

These goods are transported from
Beta Machinenfabrik (P) Ltd.,
B-16, Sector-81, Phase-II,
Noida-201305, G.B. Nagar, (U.P.), INDIA

to

Department of Mechanical Engineering
Indian Institute of Technology Delhi
Hauz Khas, New Delhi - 110016 (INDIA)

Transporter details:

Vehicle No. DL1L P3386

Billing No./LR No.: 1342

Driver License No. 20573

Driver Mobile No.: 965476992

Transporter Name: Mithila Raman Tiwari, Surajpur, Greater Noida.

Kindly allow the goods for delivery to IIT Delhi.

A K Darpe

Dr. ASHISH K DARPE
Associate Professor
Department of Mechanical Engineering
Indian Institute of Technology Delhi
Hauz Khas, New Delhi - 110016

Jodhpur Pradushan Niwaran Trust- Jodhpur, Rajasthan
3249 m3/hr @ 0.4 kg/cm2



ISO 14001:2004 Certified



91-291-2764851
91-291-2764852

Jodhpur Pradushan Niwaran Trust

PLOT NO. SP-1, SANGARIA INDUSTRIAL AREA, 2ND PHASE, SANGARIA, JODHPUR (RAJ.)
E-mail : cetp_jdr@yahoo.co.in

Ref. No. _____

Date 28.09.18

To,

M/S Beta Maschinenfabrik Private Limited
B-16, Sector-81, Phase-II, Noida,
Gautam Buddha Nagar, Uttar Pradesh-201305

Subject: Performance of Twin Lobe Roots Air Blowers 'Beta Make'

Dear Sir,


This is to inform you that we have installed **06 Nos. of Beta Roots Blowers of 3249 m3/Hr @ 0.4 Kg/Cm2 for JODHPUR PRADUSHAN NIWARAN TRUST at Jodhpur, Rajasthan** is running successfully since its installation from the year 2013.

We are satisfied with the performance of blowers as well as the services of the company.

With best wishes for your future endeavours.

Thanking You.

For Jodhpur Pradushan Niwaran Trust


Authorised Signatory

JASRAJ BOTHRA

Managing Trustee
Tel. : 2740173 (O)
Mobile : 93147-14473
E-mail : jasrajbothra123@gmail.com

VISHNU MITTAL

Executive Trustee
Tel. / 2741281 (O)
Mobile : 93147-10731
E-mail : vkm7262@gmail.com

VIMAL SURANA

Treasurer Trustee
Tel. : 2740573 (O)
Mobile : 93147-11216
E-mail : vimal.surana1969@gmail.com

Dolphin Aqua Cure Pvt. Ltd.-
Project: 1.20 MLD STP at Patnitop - Jammu & Kashmir
1550 m3/hr @ 0.5 kg/cm2



Dolphin Aqua Cure Pvt. Ltd.

- Reverse Osmosis Plants
- Effluent Treatment Plants
- Sewage Treatment Plants
- Mineral Water Plants

DA/DU/2018/19/1016

Date 25.12.2018

M/s BETA MASCHINEFABRIK P LTD
B-16 SECTOR -81 OHASE-II NOIDA
G B NAGAR UP-203201

Kind Attn: Mr. RAVI SHANKAR

Ref No. : QTN-NO Beta /DA/Q11049 DT 17.12.2018

SUB : PURCHASE ORDER FOR Air Blowers 2 nos Patnitop Jammu

Dear Sir,

With reference to our above project of 1.20 MLD STP, your offer no. QTN-Beta/DA/Q11049 dated 17.12.2018 via email dated 17.12.2018 and subsequent negotiations held with you, we are pleased to issue this work order as per terms and conditions mentioned herein below NOTWITHSTANDING anything to the contrary mentioned in above referred correspondence.

1. Scope of Work

You [herein referred as 'contract'] shall design, Manufacture, Handle, provide assistance to install, Erect, Test and commission all Electrical, Mechanical equipments, Accessories, Components and auxiliaries of the Air Blower for making Sewage Treatment Plant complete in all respect on a Turnkey basis, as mentioned in the tender document comprising Technical specifications, Data, Drawings, Annexure and any other documents enclosed with Tender for 1.2 MLD capacity Sewage Treatment Plant (STP) work and hand over the same to us at our 1.20 MLD STP at Patnitop. The scope of work to be carried out under this contract shall be governed by the Bill of Quantities as mentioned in Annexure-1, List of approval makes of material, Reference drawings, specifications, details, Subsequent drawings/ clarifications issued from time to time and as per the directions of our engineer in charge.

2. Submittals/ Specification Conditions

a) Full – scale shop drawings with all requisite data as per Tender Terms and Conditions shall be submitted by you within 5 days of of this order of civil work and other related works to be carried out at site for erection of Fine Bar Screen Channel. In case you fail to submit any data required by us or the data so submitted is not acceptable to us, we reserve our right to cancel the order and seek full refund.

Head Office : A- 31/3, 1st Floor Mayapuri Indl. Area, Phase-I, New Delhi – 110064

Tel.: +91-11-28114940, 28114941 Fax : 91-11-42581132

E-mail : info@dolphinaqua.com or service@dolphinaqua.com visit us at : www.dolphinaqua.com



20

Dolphin Aqua Cure Pvt. Ltd.-
Project: 1.20 MLD STP at Patnitop - Jammu & Kashmir
1550 m3/hr @ 0.5 kg/cm2

Dolphin Aqua Cure Pvt. Ltd.

- Reverse Osmosis Plants
- Effluent Treatment Plants
- Sewage Treatment Plants
- Mineral Water Plants

The terms and conditions of this order are final and binding on the parties and this order shall be read in conjunction with the tender document. Any terms or conditions quoted by you previously which are inconsistent with the above mentioned terms will be automatically superseded by the above mentioned terms.

This work order is being sent to you in duplicate. You are requested to sign and stamp each page as a token of your acceptance and return one copy to us for our records.

21. Billing Address

Dolphin Aqua Cure Pvt Ltd Add A31/3 Phase-1 Mayapuri Indd Area New Delhi-110064
Gst No 07AAACD8120F1Z2

22 Delivery Address RKG&DACPL (JV) PATNITOP JAMMU. CONT MR NEERAJ KUMAR 9999038784.

Thanking You
Yours faithfully

For Dolphin Aqua Cure Pvt.Ltd.

BETA MASCHINENFABRIK P LTD

(Authorized Signatory)

(Authorized Signatory)



Head Office : A- 31/3, 1st Floor Mayapuri Indl. Area, Phase-I, New Delhi – 110064
Tel.: +91-11-28114940, 28114941 Fax : 91-11-42581132
E-mail : info@dolphinaqua.com or service@dolphinaqua.com visit us at : www.dolphinaqua.com

Clear Water Limited

Client: Bharat Heavy Electrical Limited (BHEL)

Project: PT Plant-Bhagradri- BHEL

619 m3/hr @ 0.5 kg/cm2, 823 m3/hr @ 0.5 kg/cm2

PURCHASE ORDER																																																																																					
CLEAR WATER LIMITED (Project PT Plant for Bhagradri - BHEL)																																																																																					
Regd. Office : CLEAWAT HOUSE B-14/1, OKHLA INDUSTRIAL AREA, PHASE -II, NEW DELHI -110 020.			Telephone : 26386095 E-mail : clearwater@bol.net.in																																																																																		
M/s. Beta Maschinefabrik(P) Ltd. B-16, Sector-81, Phase-II Noida - 201 305 Ph. No: 0120-3047081-86; 9312661693,9313151569; Email: info@betablowers.in;sales@betablowers.in Attn.: Mr.Ravi Shankar Sharma (M: 8826995792)			Purchase Order 11/17-02	Number 11/17-02	Date 20.04.2018																																																																																
Name of Job: PT Plant for Bhagradri - BHEL			Our Order No. must appear on Invoice, B/L, cases, hundies packing lists and correspondence. Please make separate Challan & Bill for each order Bills is duplicate must be submitted duly supported with signed Challan.																																																																																		
Item No.	Drg/Part No.	DESCRIPTION	Qty.	Unit Price		Total Amount																																																																															
	a)	"Beta" make Twin Lobe Air Cooled Rotary Air Blower complete with M.S. Base Frame, Foundation Bolts, Pulley, V-Belts, Belt-guard, Suction Filter, Suction and Discharge Silencer, 150 dia Pressure Gauge, Pressure Relief Valve, Mandatory spares Non Return Valve etc ; Suction & Delivery companion Flanges etc suitable for following duty conditions. Blowers shall confirm to Data Sheet No. DS-01/16-02M(10-B), Rev-00 attached	4 Nos.	L.S.	00	690,000	00																																																																														
		<table style="width: 100%; border: none;"> <tr> <td style="width: 30%;"></td> <td style="width: 15%;">Sludge Sump</td> <td style="width: 15%;">Thickened Sump</td> <td style="width: 10%;"></td> <td style="width: 10%;"></td> <td style="width: 10%;"></td> <td style="width: 10%;"></td> </tr> <tr> <td>Qty (nos)</td> <td style="text-align: center;">2</td> <td style="text-align: center;">2</td> <td></td> <td></td> <td></td> <td></td> </tr> <tr> <td>Model No.</td> <td style="text-align: center;">- BR 22.08(AC)</td> <td style="text-align: center;">BR23.10(AC)</td> <td></td> <td></td> <td></td> <td></td> </tr> <tr> <td>Capacity (m3/hr)</td> <td style="text-align: center;">- 619</td> <td style="text-align: center;">823</td> <td></td> <td></td> <td></td> <td></td> </tr> <tr> <td>Opert. Pressure (kg/cm2)</td> <td style="text-align: center;">- 0.5</td> <td style="text-align: center;">0.5</td> <td></td> <td></td> <td></td> <td></td> </tr> <tr> <td>Opert. Speed (RPM)</td> <td style="text-align: center;">- 1708</td> <td style="text-align: center;">1708</td> <td></td> <td></td> <td></td> <td></td> </tr> <tr> <td>Shaft Power (BKW)</td> <td style="text-align: center;">- 11.96</td> <td style="text-align: center;">11.96</td> <td></td> <td></td> <td></td> <td></td> </tr> <tr> <td>ABB Motor (KW)</td> <td style="text-align: center;">- 15/ 4 P</td> <td style="text-align: center;">20/4P</td> <td></td> <td></td> <td></td> <td></td> </tr> <tr> <td>(by Clear Water)</td> <td></td> <td></td> <td></td> <td></td> <td></td> <td></td> </tr> <tr> <td>Driving Arrgt.</td> <td style="text-align: center;">- through V-Belts & Pulleys</td> <td></td> <td></td> <td></td> <td></td> <td></td> </tr> <tr> <td>Acoustic Cover</td> <td style="text-align: center;">- Reqd</td> <td></td> <td></td> <td></td> <td></td> <td></td> </tr> </table>		Sludge Sump	Thickened Sump					Qty (nos)	2	2					Model No.	- BR 22.08(AC)	BR23.10(AC)					Capacity (m3/hr)	- 619	823					Opert. Pressure (kg/cm2)	- 0.5	0.5					Opert. Speed (RPM)	- 1708	1708					Shaft Power (BKW)	- 11.96	11.96					ABB Motor (KW)	- 15/ 4 P	20/4P					(by Clear Water)							Driving Arrgt.	- through V-Belts & Pulleys						Acoustic Cover	- Reqd										690,000	00
	Sludge Sump	Thickened Sump																																																																																			
Qty (nos)	2	2																																																																																			
Model No.	- BR 22.08(AC)	BR23.10(AC)																																																																																			
Capacity (m3/hr)	- 619	823																																																																																			
Opert. Pressure (kg/cm2)	- 0.5	0.5																																																																																			
Opert. Speed (RPM)	- 1708	1708																																																																																			
Shaft Power (BKW)	- 11.96	11.96																																																																																			
ABB Motor (KW)	- 15/ 4 P	20/4P																																																																																			
(by Clear Water)																																																																																					
Driving Arrgt.	- through V-Belts & Pulleys																																																																																				
Acoustic Cover	- Reqd																																																																																				
		Less Discount				690,000	00																																																																														
		Accessories shall include following - Fabricated steel MSEP base frame with C.I. Slide rails. - Suction Silencer Special for sound reduction below 85 dBA - Discharge Silencer - Non-return valve - V-belts & Pulleys - Set of anti-vibration pads - Suction Filter - Pressure Relief Valve - Pressure gauge - Belt guard - Foundation bolts - Inter connecting pipe, nut bolts, Gaskets hardware - Acoustic cover in MSEP; Non Foldable Type - Mandatory spares as per BHEL Spec. attached																																																																																			
		Packing & Forwarding Freight up to Bhadradi work site GST 18%				included By CWL Extra Cont....2																																																																															

Clear Water Limited

Client: Bharat Heavy Electrical Limited (BHEL)

Project: PT Plant 800 MW Kothagudam TPS for BHEL
450 m3/hr @ 0.5 kg/cm2, 300 m3/hr @ 0.45 kg/cm2

PURCHASE ORDER CLEAR WATER LIMITED

Regd. Office :
CLEAWAT HOUSE
B-14/1, OKHLA INDUSTRIAL AREA,
PHASE-II, NEW DELHI -110 020.

Telephone : 26386095
E-mail : clearwater@bol.net.in

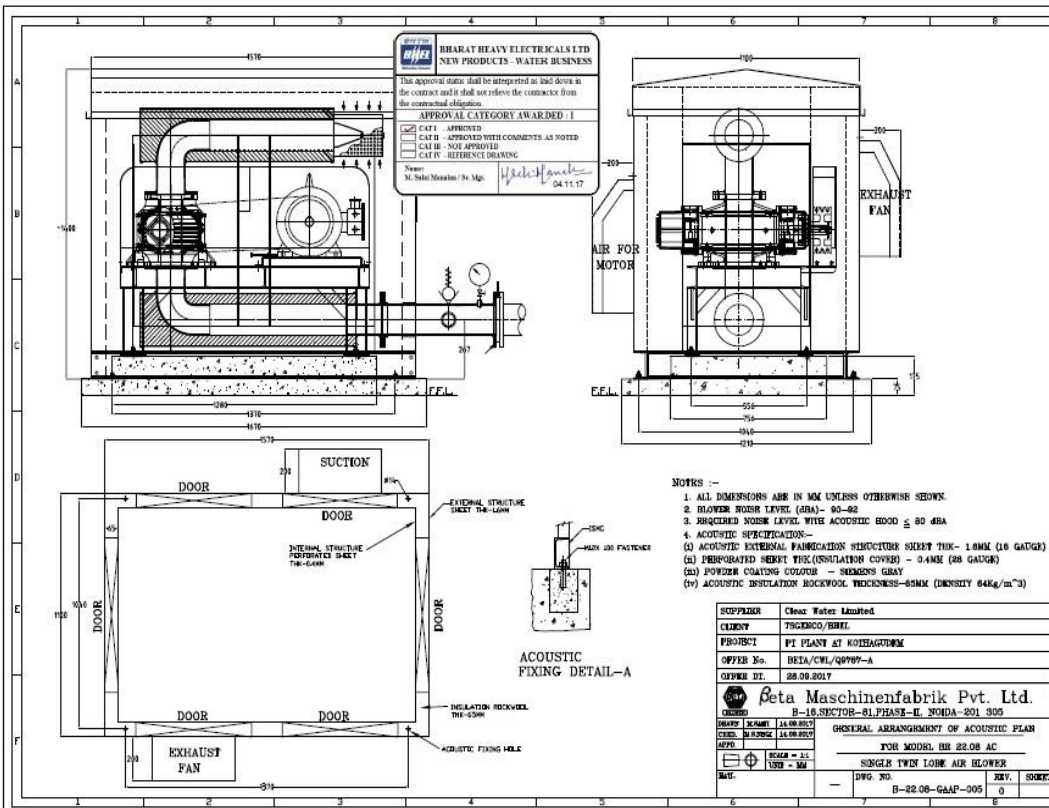
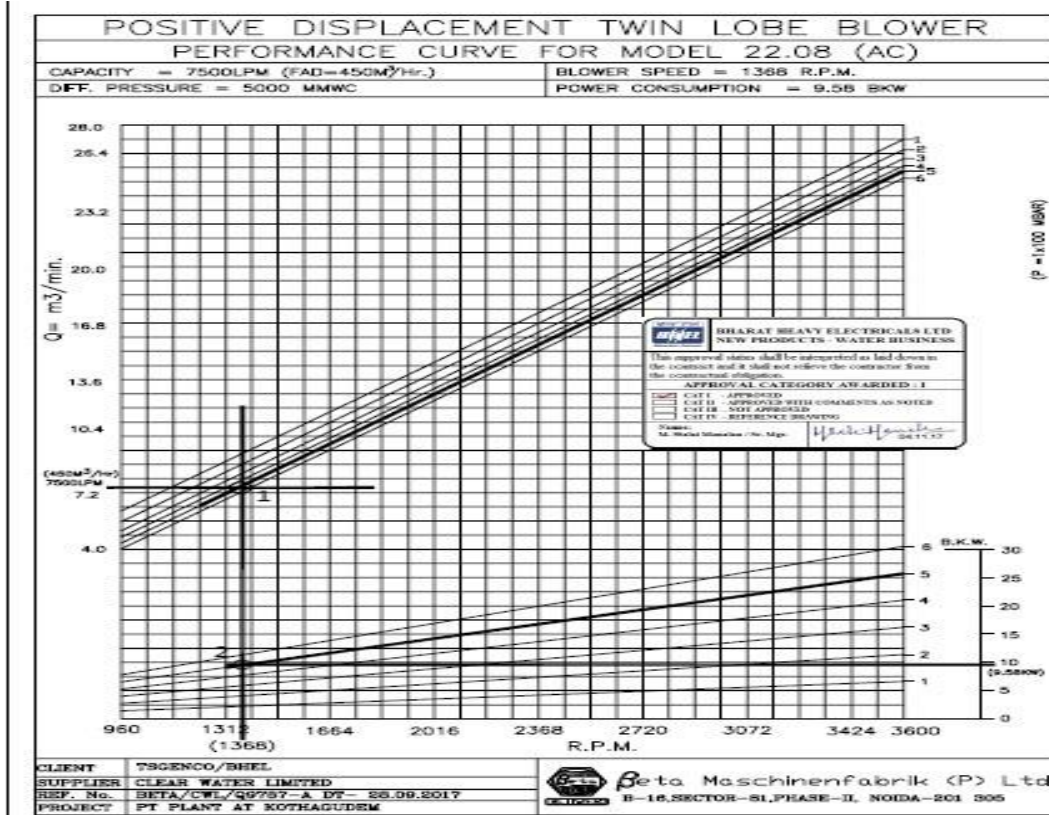
M/s. Beta Maschinefabrik(P) Ltd. B-16, Sector-81, Phase-II Noida - 201 305 Ph. No: 0120-3047081-86; 9312661693,9313151569; Email: info@betablowers.in;sales@betablowers.in Attn.: Mr.Ravi Shankar Sharma (M: 8828886782)	Purchase Order 70/16-02	Number 70/16-02 Date 11.10.2017
Your Quotation		Your email dt Oct.11,2017;
GST No		07AAACC2157M22M

Name of Job: PT Plant for 1X800 MW Kothagudam TPS for BHEL

Our Order No. must appear on invoice, B/L, cases, handles packing lists and correspondence.
Please make separate Chalan & Bill for each order
Bills in duplicate must be submitted duly supported with signed Chalan.

Item No.	Org/Part No.	DESCRIPTION	Qty.	Unit Price		Total Amount																																		
				Rs	Ps	Rs	Ps																																	
	a)	"Beta" make Twin Lobe Air Cooled Rotary Air Blower complete with M.S. Base Frame, Foundation Bolts, Pulley, V-Belts, Belt-guard, Suction Filter, Suction and Discharge Silencer, 150 dia Pressure Gauge, Pressure Relief Valve, Mandatory spares Non Return Valve etc ; Suction & Delivery companion Flanges etc suitable for following duty conditions. Blowers shall confirm to Data Sheet No. DS-01/16-02M(10-B), Rev-00 attached	4 Nos.	L.S.	00	585,000	00																																	
		<table style="width: 100%; border-collapse: collapse;"> <tr> <td style="width: 30%;"></td> <td style="width: 30%; text-align: center;">Sludge Sump</td> <td style="width: 30%; text-align: center;">Thickened Sump</td> </tr> <tr> <td>Qty (nos)</td> <td style="text-align: center;">2</td> <td style="text-align: center;">2</td> </tr> <tr> <td>Model No.</td> <td style="text-align: center;">- BR 22.08(AC)</td> <td style="text-align: center;">BR22.7(AC)</td> </tr> <tr> <td>Capacity (m3/hr)</td> <td style="text-align: center;">- 450</td> <td style="text-align: center;">300</td> </tr> <tr> <td>Operat. Pressure (kg/cm2)</td> <td style="text-align: center;">- 0.5</td> <td style="text-align: center;">0.45</td> </tr> <tr> <td>Operat. Speed (RPM)</td> <td style="text-align: center;">- 1358</td> <td style="text-align: center;">1358</td> </tr> <tr> <td>Shaft Power (BKW)</td> <td style="text-align: center;">- 9.58</td> <td style="text-align: center;">6.26</td> </tr> <tr> <td>ABB Motor (KW)</td> <td style="text-align: center;">- 15/ 4 P</td> <td style="text-align: center;">7.5 /4P</td> </tr> <tr> <td>(by Clear Water)</td> <td></td> <td></td> </tr> <tr> <td>Driving Arrgt.</td> <td style="text-align: center;">- through V-Belts & Pulleys</td> <td></td> </tr> <tr> <td>Acoustic Cover</td> <td style="text-align: center;">- Reqd</td> <td></td> </tr> </table>		Sludge Sump	Thickened Sump	Qty (nos)	2	2	Model No.	- BR 22.08(AC)	BR22.7(AC)	Capacity (m3/hr)	- 450	300	Operat. Pressure (kg/cm2)	- 0.5	0.45	Operat. Speed (RPM)	- 1358	1358	Shaft Power (BKW)	- 9.58	6.26	ABB Motor (KW)	- 15/ 4 P	7.5 /4P	(by Clear Water)			Driving Arrgt.	- through V-Belts & Pulleys		Acoustic Cover	- Reqd					585,000	00
	Sludge Sump	Thickened Sump																																						
Qty (nos)	2	2																																						
Model No.	- BR 22.08(AC)	BR22.7(AC)																																						
Capacity (m3/hr)	- 450	300																																						
Operat. Pressure (kg/cm2)	- 0.5	0.45																																						
Operat. Speed (RPM)	- 1358	1358																																						
Shaft Power (BKW)	- 9.58	6.26																																						
ABB Motor (KW)	- 15/ 4 P	7.5 /4P																																						
(by Clear Water)																																								
Driving Arrgt.	- through V-Belts & Pulleys																																							
Acoustic Cover	- Reqd																																							
		Less Discount				585,000	00																																	
		Accessories shall include following - Fabricated steel MSEP base frame with C.I. Slide rails. - Suction Silencer Special for sound reduction below 85 dBA - Discharge Silencer - Non-return valve - V-belts & Pulleys - Set of anti-vibration pads - Suction Filter - Pressure Relief Valve - Pressure gauge - Belt guard - Foundation bolts - Inter connecting pipe, nut bolts, Gaskets hardware - Flexible rubber bellow on discharge - Acoustic cover in MSEP; Foldable Type - Mandatory spares as per Annexure -I..... Not required																																						
		Packing & Forwarding Freight up to Kothagudam work site GST				Included Included Extra	00 00 00																																	

Clear Water Limited
Client: Bharat Heavy Electrical Limited (BHEL)
Project: PT Plant 800 MW Kothagudam TPS for BHEL
Approved Performance Curve & GA Drawing from BHEL



Hindustan Organic Chemical Limited (HOCL) Maharashtra
For H2 Gas conveying Application
Capacity: 11000 m3/hr 0.8 kg/cm2

Tel No. 02192-250 041 – 50 (10 Lines) Rasayani
Fax No. 02192-250 050

(F – 6-00 – 07)

Telegram: "HINORCH" Rasayani



WORK ORDER

HINDUSTAN ORGANIC CHEMICALS LTD.

(A Government of India Enterprise)
P.O. Rasayani, Dist. Raigad, Pin-410 207

No. ENGG (O)/PInG/ FD-II-182 / 06 / R- 8002

Date: 28/09/2011

To,
M/s. Beta Maschinenfabrik (P) Ltd.,
B-16, Sector-81, Phase-II
Noida-201 305 (U.P.) India
Tel No. +91-120 3047081-86

Fax No. +91-120 3047086

Sub: Design, supply, installation and commissioning of roots blower
with all accessories for FD-II plant.

Ref: - Your offer No. BETA/HOCL/Q-2511-A dated 18/04/2011

Dear Sir,

We are pleased to inform you that your offer received under subject is accepted and the work is hereby awarded to you.

The total work order value will be Rs. ~~12,27,000/-~~ Taxes
Rupees – Twelve lakh twenty seven thousand only plus taxes.

Further details of the work order are as per the enclosed Annexure-I & II

Thanking You,

Yours Faithfully,
For, HINDUSTAN ORGANIC CHEMICALS LTD.

JmB

(G. Kiran)
General Manager (Mech.)

Encl: as above
Gk / Msk

Note: You are governed by the contract labour regulation and abolition act 1970 and should get registered under that act. You are required to maintain records of the contract labourers, overtime, wages, deduction, fines etc. and this records should be returned to the principal. You shall accept all the general terms and conditions of the contract as given on back leaf.

**Hindustan Organic Chemical Limited (HOCL) Maharashtra
For H2 Gas conveying Application**

Capacity: 11000 m3/hr 0.8 kg/cm2



पंजीकृत कार्यालय तथा फैक्टरी - पो. ऑ. रसायनी, जिला रायगड, महाराष्ट्र, भारत, पिन - ४१० २०७
टेलीफोन/Tel.: 91-02192-258500 / 01 / 02 फैक्स/Fax: 91-02192-258503
Regd. Office & Factory : P.O. Rasayani, Dist. Raigad, Maharashtra, India, PIN - 410 207
Website : www.hocl.gov.in

हिन्दुस्तान ऑर्गेनिक केमिकल्स लिमिटेड

(भारत सरकार का उद्यम)

HINDUSTAN ORGANIC CHEMICALS LIMITED

(A Government of India Enterprise)

PERFORMANCE CERTIFICATE

TO WHOMSOEVER IT MAY CONCERN

This is to certify that our Company M/s. Hindustan Organic Chemicals Ltd., has been a user of twin lobe roots blowers manufactured by M/s Beta Maschinenfabrik (P) Ltd., NOIDA for various applications since last 06 years. The blowers manufactured and supplied by the said firm are efficient and has highest quality standards at competitive prices. The company also pays due attention on after sales services and customer satisfaction. We are extremely satisfied with Beta products, quality standards and their after sales services.

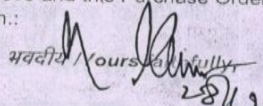
We wish all the success in future to the team Beta blowers.

Thanking you,

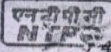
Yours faithfully,
For Hindustan Organic Chemicals Ltd.,


Kiran G. Kiran
GM (Mech.)
General Manager (Mech. Engg.)
Date: १५ अगस्त २०१७, रसायनी - ४१०२०७.

Bhabha Atomic Research Centre - Mysore
Capacity: 85 m3/hr 0.3 kg/cm2

Telephone : 2406434 / 2404643 टेलीग्राफ / TELEGRAM : रेअरमेट / RAREMAT फेक्स / Fax : 0821-2403064	भारत सरकार / GOVERNMENT OF INDIA परमाणु ऊर्जा विभाग / DEPARTMENT OF ATOMIC ENERGY क्रय और भंडार निदेशालय / DIRECTORATE OF PURCHASE AND STORES भाभा परमाणु अनुसंधान केंद्र / BHABHA ATOMIC RESEARCH CENTRE विरल पदार्थ परियोजना / RARE MATERIALS PROJECT	पंजीकृत पावती Regd. प्रपत्र सं. - क्रमनि पी FORM NO.DPS-P- पोस्ट बाक्स नं. / P. B. N येलवाल पोस्ट / YELWAL मैसूर/MYSORE- 571		
क्र.आ.सं / P.O. No.: क्रमनि/विपप/क्रय/स्था.क्रय/DPS/RMP/PUR/LP...16224		क्र.आ. PO...16178/REV/2648 दिनांक/Date /.../.../... 28 DEC 2011		
सेवा में / To M/S. BETA MASCHINENFABRIK (P) LTD. B-16, SECOR-81 PHASE-II NOIDA 201 305 (U.P.) ph.no: 3047081		संदर्भ : आपका प्रस्ताव सं. Ref. : Your Offer No. BETA/BARC/Q-4110-B I 01/11/11 & FAX DATE 20/12/11		
प्रिय महोदय/ Dear Sirs, उक्त निविदा (प्रपत्र सं. क्रमनि पी.22ए) के पिछले पृष्ठ पर दी गई ठेके की शर्तों और इस क्रय आदेश में लिखी शर्तों के अनुसार तथा नीचे लिखी मात्रा और मूल्य पर ह निविदा संख्या में नीचे लिखी मात्रा और मूल्य पर आपका प्रस्ताव मंजूर किया जाता है Your Offer contained in the Tender No. to supply the undermentioned stores accepted on behalf of the President of India subject to the terms and conditions of contract printed on the back of the said Tender Form No. DPS-P-22(A)) and subject to the terms and conditions contained in this Purchase Order to the extent of the quantity and at the Price specified below :				
क्र. सं. Sr.No.	विवरण / Description	मात्रा Quantity	दर Rate इकाई / Unit रु /Rs. प /P	मूल्य Value
1	TWIN LOBE BETA MAKE BLOWER MODEL-BR-20.00 AS PER SPECIFICATION ENCLOSED			
2	ELECTRIC MOTOR - 2.2 KW/3 HP/1500 RPM (ABB/CROMPTON/KIRLOSKAR MAKE)			
	FREIGHT AT ACTUALS SUB. TO MAX. OF RS.10000/- DULY SUPPORTED BY DOCUMENTARY PROOF WILL BE PAID EXTRA.			
	LESS(-) DISCOUNT @ 2% ON SL.NO.1 (BLOWER) ONLY.			
	Total			
	P & F CHARGES OF RS. WILL BE PAID EXTRA. CST @ 13.5% WILL BE PAID EXTRA.			
मूल्य / Price: F O R BARC SUB. TO P&F&FRT.CHARGES		सुपुर्दगी अवधि / Delivery Period 22 FEB 2012 4-6 weeks on/before		
स्थल / Place of Delivery: BARC_Mysore site, Yelwal, Mysore-571130.				
यह नोट करें कि ऊपर संदर्भित निविदा प्रपत्र सं. क्रमनि.पी. 22-ए में दी गई शर्तों और यह क्रय आदेश ठेके का एकमात्र निधान होगा। कृपया, संलग्न प्रपत्र में तत्काल पावती दें। Please note that terms and conditions printed at the Tender form No. DPS-P-22(A) referred to above and this Purchase Order Shall be the repository of this contract. Please acknowledge receipt immediately in the form sent herewith.:				
भवदीय / Yours faithfully  28/12				

National Thermal Power Corporation (NTPC)- Dadri (UP)
Vacuum Booster Pump: 300 m3/hr 0.5 kg/cm2



310R13

Order Acceptance sent on 16/8/05

PURCHASE ORDER No: 51140544-56 Dated: 28/09/2005 (REGD. A/D)

NATIONAL THERMAL POWER CORPORATION LTD.
(A GOVERNMENT OF INDIA ENTERPRISE)
NATIONAL CAPITAL POWER STATION
PURCHASE DEPARTMENT
P.O. VIDYUT NAGAR, Distt GAUTAM BUDH NAGAR (U.P.)
Pin : 201-008 (INDIA)

E-Mail: adesh@ntpc.co.in
Phone : 0120-2671284
Fax : 0120-2671292/2723530
C.S.T.No. GD-5154438
U.P.T.T.No. GD-0199804
UP GD-(R) 3697we630.6.94

To : M/S BETA MASCHINEFABRIK (P) LTD.
B-16, SECTOR-81
PHASE-2
NOIDA
GAUTAMBUDH NAGAR Pin : 201305
Phone : 0120-2462489 Fax No : 0120-2588096
9811163168
9350293819

Indent No : 2005/110280
Indentor : AHP
Vendor Code : B1661

Sub : IMPELLER FOR VACUUM PUMP OF AHP-1
Ref : Our Enquiry No. 1140275 Dated 29/06/2005
Your Offer No. 1 BETA/NTPC/Q-36 Dated 19/07/2005

Dear Sirs,

Please arrange to deliver the materials given in Annexure - I subject to conditions specified herein and in our General Purchase Conditions and other specification and requirements. Duplicate copy may please be signed and returned back to us within 10 days of its receipt in token of acceptance of the same.

Total Value : Rs. _____
Price Basis : DELIVERY AT DOOR
Excise Duty : NIL/NOT APPLICABLE
Sales Tax : EXTRA AGAINST FORM 'IIIB' @ 2.50%
Inspection : P.D.I. AT VENDOR'S PREMISES
Place of Despatch : NOIDA (U.P.)
Mode of Transport : Road Freight Suppl Account
P & F Charges : 2.00%
Payment Term 1 : Within 30 days of Receipt and Acceptance of Material - 100%
Mode of Payment : By Cheque
Insurance : TO BE BORNE BY VENDOR
Bank Charges : NOT APPLICABLE
Warrantee/Guar. : AS PER GENERAL PURCHASE CONDITION
PEG : AS PER GENERAL PURCHASE CONDITION
LD Clause : AS PER GENERAL PURCHASE CONDITION

Special Instruction :

1. VENDOR TO SUBMIT OWN QUALITY PLAN IN REFERENCE NTPC CHECK LIST NO, 560855 DT. 11/4/2005 ENCLOSED & THEIR OWN DRAWING FOR APPROVAL BEFORE MANUFACTURING.
2. VENDOR TO SUBMIT FITMENT/INTERCHANGEABILITY CERTIFICATE ALONGWITH SUPPLY.
3. MODE OF DESPATCH: TO BE ARRANGED BY THE VENDOR ON FREIGHT PAID & DOOR DELIVERY BASIS.
4. VENDOR TO SUBMIT TWO SAMPLES FOR FITMENT CHECKING BEFORE BULK SUPPLY.

Oil & Natural Gas Corporation Limited (ONGC)- Mehsana (Gujrat)

Speed Post

Page 1 of 5



OIL AND NATURAL GAS CORPORATION LIMITED

Materials Management Department,
Central Stores Palvasana,
Mehsana - 384003 Gujarat
(Regd. Office: Jeevan Bharati Tower - II, 124 Connaught Circus, New Delhi - 110001)

FAX : MHN-MM

PURCHASE ORDER FOR SUPPLY OF 'ROTARY AIR BLOWERS'

D. : 4010053647
ite : 04/08/2010
o. : MHN/MM/ST/CA P/76/2009-2010

TERMS OF DELIVERY :
F.O.R. Destination at Central Stores, ONGC, Palavasana Stores, Mehsana-384 003.
DELIVERY ON OR BEFORE : 05.10.2010

MASCHINENFABRIK PRIVATE
D
ECTOR-81,
- 201301 Uttar Pradesh India
Fax No.: 0120-2588096
Code No. 144181

ULTIMATE CONSIGNEE
Code-23814
I/c Receipt Stores, Palavashana
Central Stores
BECHARAJI ROAD, PALAVASANA
Mehsana 384003 J.
Telephone No.: 02762-225714
Fax No.: 02762-225714 /5705

MODE OF DESPATCH : Road
INSPECTION BY : QAD

Quotation No : BETA/OANGC
ion Date : 14.11.2009

ADDRESS OF INSPECTION AUTHORITY: INCHARGE QAD, DEHRADUN
-SHED NO.8, TEL BHAVAN,
248003
India
Telephone No.: 0135-2758045
Fax No.: 0135-2758045

Additional References
Quotation No. BETA/OANGC/Q-1627 dated 14.11.2009 and
quent letter vide No. BETA/OANGC/O.A.-1048 dated
2010
Office Letter of Award (LOA) No.
MM/ST/CAP/076/2009-2010 dated 15.06.2010.

R. J. Dhamnani
R. J. DHAMNANI
Manager (MM)
Oil And Natural Gas, Corporation Ltd
Central Stores, Palavasana,
MEHSANA-384 003

Page 4 of 5

Annexure-I

Please supply Equipment/Material/General Stores and/or services specified below subject to all terms and conditions incorporated herein/attached including General terms and conditions of purchase, which shall waive and render as void all and any of the seller's conditions of sale.

Description of Goods Ordered

Sno	PO Item No	Mat Code	Description	UOM	Quantity	Rate per Unit	Currency	Amount
Ultimate Consignee : 23814 Area of Operation : Non PEL/ML								
1	1	0C4650000	ELECTRIC BLOWERE	NO	4			
			Gross Price			80,000.00	INR	320,000.00
			P & F per Unit			5,000.00	INR	20,000.00
			CST %			2.00	INR	7,500.40
			Freight/Quantity			4,250.00	INR	17,000.00
			Total				INR	364,500.40
			ED-% (No CENVAT)			10.30	INR	35,020.00
			Insur (Value)-LS				INR	800.00
			Total				INR	35,820.00
Grand Total							INR	400,320.40

THE TOTAL P.O VALUE IS INCLUSIVE OF EXCISE DUTY @ 10.30%, CST @ 2% AGAINST FORM 'C', INSURANCE CHARGES (RS. 200/- EACH) & FREIGHT CHARGES (RS. 4250/- EACH) ON FOR DESTINATION BASIS.
INSURANCE & FREIGHT CHARGES ARE BE PAID AT ACTUAL AGAINST DOCUMENTARY PROOF TO THE EXTENT MENTIONED ABOVE)

Total Value of Supply Order :

RUPEES FOUR LAKH THREE HUNDRED TWENTY AND PAISE FORTY ONLY


For Oil and Natural Gas Corporation Limited

R. J. Dhamnani
4.8.10
(Authorized Signatory with Stamp)

R. J. DHAMNANI
Manager (MM)
Oil And Natural Gas, Corporation Ltd
Central Stores, Palavasana,
MEHSANA-384 003

Jindal Steel & Power Limited (JSPL)- Angul (Orissa)

71 m3/hr 0.5 kg/cm2

 <p style="text-align: center;">JINDAL STEEL & POWER LIMITED</p> <p style="text-align: center;">JINDAL STEEL AND POWER LIMITED VIII- Nisa, Chendipada Road, SH-63 ANGUL-759130 ORISSA Ph:-06761-254191-95 Fax:-06761-254144</p> <p style="text-align: center;">PURCHASE ORDER</p>	<p>COM-1-01-A- ISSUE-01</p>										
<p>Vendor:12569 BETA MASCHINENFABRIK PVT. LTD. B-16 PHASE-II,SECTOR-81,GAUTAM BUDH NAGAR NOIDA 201305 Uttar Pradesh India Sales Person / Tel No : / Fax:-0120 3047086Email:-info@betablowers.com</p>	<p>PURCHASE ORDER No:4561013070 Purchase Order Date: 19.07.2012</p> <p>Contact Person : Rajendra Tripathy Email ID:rajendra_tripathy@angul.jspl.com Phone No./Extn: 06761254144/ Fax No:06761254144 Mobile No:9777444429 CST NO.:21172000530 (CENTRAL) TIN NO.: 21172000530 Excise Range : ANGUL-II Excise Division : CUTTACK Excise Commision : BHUBANESWAR</p>										
<p>Please supply the following material as per the terms and conditions mentioned below and as per attached annexure-01</p>											
Item	Material #	Material Description	Qty	UOM	Unit Price	Discount	Net Amt (INR)				
10	1000282058	BLOWER;TWIN LOBE,71M3/H,MN:BR200 0	2.000	PC							
<p>Item Text2 BLOWER: TYPE: TWIN LOBE ROOTS, AIR COOLED, BODY MATERIAL: CAST IRON, AIR FLOW CAPACITY: 71 M3/H, SPEED: 2097 RPM, POWER: 5 HP, PRIME MOVER TYPE: ELECTRIC MOTOR, 5 HP 1500 RPM ABB MAKE; MODEL NUMBER: BR 20.00 BETA MAKE-BETA</p> <p>The supply will consists of</p> <ol style="list-style-type: none"> 1. Twin Lobe Blower Model BR 20.00 (AC) along with standard accessories INR: _____ 2. Electric Motor- 3.7 KW/5.0 HP/1500 RPM , Make: ABB/Kirlosker/Crompton Price: INR _____ 3. Packing Charge for each set : INR _____ <p>Taxes :ED12%EC2%HEC1%(CENVAT) CST2% AGAINST FORM-C</p> <table style="width: 100%; border: none;"> <tr> <td style="width: 50%;">Delivery Date</td> <td style="width: 50%;">Delivery Qty</td> </tr> <tr> <td>01.09.2012</td> <td>2.000 PC</td> </tr> </table> <p>Unloading Point:Jindal Steel PlantANGUL</p>								Delivery Date	Delivery Qty	01.09.2012	2.000 PC
Delivery Date	Delivery Qty										
01.09.2012	2.000 PC										
<p>Header Text</p> <ol style="list-style-type: none"> *1. All relevant test certificates are to be supplied along with material. 2. ORDER ACCEPTANCE: You are requested to send the duplicate copy of the purchase order duly signed as a token of acceptance of the purchase order. If we don't accept the signed PO within 7 days, then it will be considered that you have accepted the purchase order. 3. This price is firm and fixed till order is fully executed and shall not be subject to any escalation whatsoever not withstanding any change in the cost of material and / or labor cost 4. INSPECTION: Final inspection will be made at our site Angul. 5. TERMINATION/CANCELLATION: JSPL reserve the right to terminate the contract at any time without assigning any reason. 											
<p>for JINDAL STEEL & POWER LIMITED</p>											
<p>Page 1 of 2</p>											
<p>(Authorized Signatory)</p>											

120.480 9977

Britannia Industries Limited- Pune (Maharashtra)
1060 m3/hr 0.7 kg/cm2

Page 1 OF 4
DOC.NO.: 31203741

VENDOR: 115713

DT.OF CREATION: 01.03.2018

Beta Maschinenfabrik (P) Ltd
B # 16, Sector#81

Noida 201305
Uttar Pradesh India
TERMS OF PMNT: IMMEDIATELY ON RECEIPT

QTN REF:

TERMS OF DLY: Free on Road

SLNO	MATCODE	MATDESC	QTY	UNIT	PER	RATE	CURR
00001		Positive Displacement Air blowers 1050 m	3.000	NOS	1	442,550.00	INR

P.O. TEXT:
Scope of Supply

Roots Blower Q # 1050 M3/Hr, D.P# 0.7 kg/cm2 = 3 Set

01. Twin Lobe Blower Model BR 24.12 (WC) along with standard accessories With Packing Condition - 3 No's X INR 1,66,050
02. First Filled Synthetic Oil (GT-220) - 3 No X INR 8,000
03. Acoustic Enclosure - 3 No X INR 1,15,000
04. Motor 37 KW/ 50 HP/IE-2/1470 RPM Extra CGL - Make - 3 No X INR 78,500

Accessories :
Common base frame for motor & blower, Slide rails for motor, Reactive Silencer, Discharge Silencer, Spring loaded safety valve, Non Return Valve, Drive & Driven Pulleys, V-belts, V-belt Guard, Anti vibration pads, Foundation bolts, Pressure Gauge, other Fasteners to tighten the accessories etc

Technical Specification

Blower Make & Type : Beta Make Roots Blower (Water Cooled)
Service : Air
Blower Model : BR 24.12 (WC)
Flow Direction: Vertical
Operation : Continuous
Capacity (FAD) : 1060 M3/Hr
Inlet Pressure : Atmospheric

DT.OF CREATION:
01.03.2018

VENDOR: 115713

Page 3 OF 4
DOC.NO.: 31203741

6) Freight: Extra at actual & Kindly mention freight part in supply invoice

7) Delivery Time : with in 4 Weeks

8) Road Permit : will be provided by BIL if required.
Note : Failure to return Form along with the consignment will result in non-payment of bills. Vendor will also need to submit reconciliation statement of Form utilisation.
Road Permit Request Need to be send to following::
kiran Kumar@britindia.com :: knvmurali@britindia.com ::
gnakur@britindia.com :: rajapradeep@britindia.com

9) Insurance is in BIL's Scope . vendor shall send the despatch details thru fax/courier/ e-mail to us ::
kiran Kumar@britindia.com :: knvmurali@britindia.com ::
gnakur@britindia.com :: rajapradeep@britindia.com

10) COMPLETENESS OF SCOPE: Any scope of Work/ supplies which is not specifically mentioned in the Enquiry/ Offer or the Contract, but required for the completion of the Package and/or for safe, trouble free, normal operation of the Plant/Facility, shall be supplied/rendered free of cost to the Purchaser, unless expressly excluded in the Contract. "

INVOICING & DELIVERY ADDRESS:

M/s Britannia Industries Ltd,
Plot No. B-28, Five Star MIDC, Ranjangaon,
Tal.: Shirur, Dist.: Pune
Maharashtra PIN: 412220

GST No : 27AABC2066P12F

Site Contact (Kindly mention following contact details in original invoice):

Binani Zinc Limited- Cochin (Kerela)
1200 m3/hr 0.8 kg/cm2



COURIER

BINANI ZINC LIMITE

BINANIPURAM, Cochin, Kerala, India - 683 5
 Tel : (0484) 2540175/274/276/278. Fax : (0484) 25321
 e-mail : zinc@binanizinc.co.in website : www.binanizinc.co
 Regd. Office : Om Towers, 32, Chowringhee Road, Kolkata - 700 0
 Tel : (033) 22882508/22882509 Fax : (033) 228825

PURCHASE ORDER

8816 Beta Maschinenfabrik (P) Ltd B-16, SECTOR - 81, PHASE-II NOIDA - 201 305 UTTARPRADESH UP	Ph : 120 2462489 Fax :	NO. 10/2010002194 DATE 23/02/2011 True Copy
		ENQUIRY REF. 2010001516 QUOTATION REF. 2010002480 20/02/2011

Please supply the under mentioned goods subject to the terms and conditions stated hereunder and on the reverse of the Purchase Order.

Sl. No.	DESCRIPTION	MATERIAL CODE	UNIT	QUANTITY	EX. DUTY %	ST %	BASIC RATE	VALUE
1	TWIN LOBE BLOWER COMPLETE FOR CEMENT UNLOADING MODEL: BR 24.12*(AIR COOLED) ALONG WITH STD. ACCESSORIES *SUPPLY AS PER EXISTING M/C SERIAL NO: 0810399 V9B ACCESSORIES: Common base frame for motor & blower, slide rails for motor, Suction Silencer, Discharge Silencer, spring loaded safety valve, Suction filter (non woven), non return valve, drive & driven pulleys, v-belts, v-belt guard, anti vibration pads, foundation bolts, other fasteners to tighten the accessories & other standard accessories. DATA SHEET: AS PER OFFER D-2480(ATTACHED) PACKING: SECURELY PACKED IN WOODEN BOX DESPATCH: THROUGH XPS/ ARC LTD TO "KALAMASSERY" GODDNH	2021050103	NO	10000	10.00	2.00		100000.00
A.	PAYMENT TERMS 30% ADVANCE & BALANCE AGAINST PROFORMA INVOICE							
B.	PRICE BASIS Ex- WORKS							
C.	OTHERS							

Delivery by: 23/02/2011 Total Value Rs. 100000.00

Authority : 10 Budget code : 079 20	P.R. No. : 2010001547 Ref. P.O. No. :	For BINANI ZINC LIMITED	
Our C.S.T. No. 32150235385 C valid from 1/4/2005 TIN No. 32150235385 valid from 1/4/2005	 D.V. KURUP Senior Manager (Materials)		

Lafarge A&C India Pvt.Ltd.- Jaipur (Rajasthan)
1000 m3/hr 0.8 kg/cm2



PURCHASE ORDER
ORIGINAL

N° 12027252 OP

**This Purchase Order must be quoted
on all communications such as
delivery notes and invoices**

Order Date 11/10/2012	Page 1/1
---------------------------------	--------------------

Buyer's Name : Telephone : Fax No : E- mail : receiptcontroller.delhi@in.lafarge.com	BETA MASCHINEN FABRIK PRIVATE LIMITED B-16,SECTOR-81,PHASE-II, NOIDA,G.B.NAGAR, NOIDA Uttar Pradesh 201305 India
Project Number :	

Remarks :

Delivery Instructions : RATE INCLUSIVE OF TAX FREIGHT EXTRA
Delivery Contact : RSATYA

Delivery Address : LAFARGE A & C INDIA PVT. LTD. PLOT NO. 24, NEAR BANK OF INDIA, NIWARU ROAD JHOTWARA INDUSTRIAL ESTATE, JAIPUR,STATE-RAJASTHAN JAIPUR Rajasthan 302012 India Telephone : 09928014225 Fax :	Invoice Address : LAFARGE A & C INDIA PVT. LTD. PLOT NO. 24, NEAR BANK OF INDIA, NIWARU ROAD JHOTWARA INDUSTRIAL ESTATE, JAIPUR,STATE-RAJASTHAN JAIPUR Rajasthan 302012 India Telephone : 09928014225 Fax :
--	---

Pay. Terms : Net 15 days Electronic Transfer	Incoterm : Outbound - No freight CST/TIN: 08634151224 / 08634151224 Contract Number : 0
---	--

Line	Supplier Reference/Manufacturer Reference	Description	Quantity	Unit	Unit Price	Total Price	INR
To be delivered on : 11/10/2012							
1	/696/01311		1	Each			Tax Rate : %
Total Raw Material Amount :							
Total Amount :							
Total Amount :							

For and on behalf of the buyer: _____ **For and on behalf of the seller:** _____



SOME

PERFORMANCE

&

APPRECIATIONS

ELIXIR WATER



Elixir Water

(An ISO 9001 & 14001 Certified Company)

Performance Certificate/appreciation letter

To whom so it may concern

This is to certify that our company ELIXIR WATER has been the user of twin lobe roots blower manufactured by M/S Beta maschinenfabrik (P) Ltd. , Noida for various applications like STP/ETP/DM plants etc. since 2005. The blower manufactured and supplied to us in stipulated time frame with highest standard of workmanship at an economical price. Services after sales found tremendous. We have high regards for the brand and wish them all success in future.

For ELIXIR WATER



(Dr. Shahid Ali Khan)

Dated 21.10.2013



Regd. Office : 109, Abul Fazal Apartments, 22, Vasundhara Enclave, Delhi-96

Branch Office : C-377, Sector-10, Noida (U.P.)

Ph. : 011-22620734, Mob : 9999209388, 9818341786

E-mail : khan@elixirwater.in / www.elixirwater.in



Hindustan Organic Chemicals Limited



पंजीकृत कार्यालय तथा फैक्टरी - पो. ऑ. रसायनी, जिला रायगड, महाराष्ट्र, भारत, पिन - ४२० २०७
टेलीफोन/Tel.: 91-02192-258500 / 01 / 02 फैक्स/Fax: 91-02192-258503
Regd. Office & Factory : P.O. Rasayani, Dist. Raigad, Maharashtra, India. PIN - 410 207
Website : www.hocl.gov.in

हिन्दुस्तान ऑर्गेनिक केमिकल्स लिमिटेड

(भारत सरकार का उद्यम)

HINDUSTAN ORGANIC CHEMICALS LIMITED

(A Government of India Enterprise)

PERFORMANCE CERTIFICATE

TO WHOMSOEVER IT MAY CONCERN

This is to certify that our Company M/s. Hindustan Organic Chemicals Ltd., has been a user of twin lobe roots blowers manufactured by M/s Beta Maschinenfabrik (P) Ltd., NOIDA for various applications since last 06 years. The blowers manufactured and supplied by the said firm are efficient and has highest quality standards at competitive prices. The company also pays due attention on after sales services and customer satisfaction. We are extremely satisfied with Beta products, quality standards and their after sales services.

We wish all the success in future to the team Beta blowers.

Thanking you,

Yours faithfully,
For Hindustan Organic Chemicals Ltd.,


Kiran किरण
GM (Mech) KIRAN
जनरल मॅनेजर (मेक. इंजी.)
General Manager (Mech. Engg.)
Date एच ओ सी लि., रसायनी - 410207.

Spectra Foods & Beverage Pvt. Ltd.

Spectra Foods & Beverages Pvt. Ltd.

Licensed Manufacturers
Tadigadapa, Vijayawada - 521 137
Phones : 91 - 866 - 2582351, 2582352, 2582451
Fax : 91 - 866 - 2582453 Grams : Kwalitiy
e-mail : spectrafoods@gmail.com



PERFORMANCE CERTIFICATE/APPRECIATION LETTER

TO WHOMSOEVER IT MAY CONCERN

This is to certify that our Company/firm M/s Spectra Foods & Beverages (P) Limited has been a user of twin lobe roots blowers manufactured by M/s BetaMaschinenfabrik (P) Ltd., NOIDA for various applications since last 6 years. The blowers manufactured and supplied by the said firm are efficient and hashighest quality standards at competitive/economical prices. The company also pays due attention on after sales services and customer satisfaction. We are extremely satisfied with Beta products, quality standards, pricing strategy to suit the customers and their after sales services.

We wish all the success in future to the team Beta Blowers.

For Spectra Foods & Beverages (P) Ltd.,

K.V. Suresh

K.V.SURESH
GENERAL MANAGER

Date:- 19/10/2013



BAS Enterprises



BAS Enterprises

Deals in : Water Treatment Chemicals, Plants, Resins, E.T.P. Chemicals etc.

217, Jaina Tower-III, A-1 Block Shopping Centre, Janak Puri, New Delhi-110058

Phone : 25551020, 25551060 Mob : 9810639008

E-mail : basenterprises@yahoo.com

PERFORMANCE CERTIFICATE/APPRECIATION LETTER

TO WHOMSOEVER IT MAY CONCERN

This is to certify that our Company/firm (Name -**BAS ENTERPRISES**) has been a user of twin lobe roots blowers manufactured by M/s Beta Maschinenfabrik (P) Ltd., NOIDA for various applications since last 13 years. The blowers manufactured and supplied by the said firm are efficient and has highest quality standards at competitive/economical prices. The company also pays due attention on after sales services and customer satisfaction. We are extremely satisfied with Beta products, quality standards, pricing strategy to suit the customers and their after sales services.

We wish all the success in future to the team Beta Blowers.

Signature

(BIJENDRA KUMAR & PROP.)

for (BAS ENTERPRISES)

Date:-21-10-2013

Company Seal

NOTE. You may amend/modify the above draft sent to you to make it better to boost our morale and continued relationship.

BAS ENTERPRISES
• 217 Jaina Tower-III
A-1 Block, Shopping Centre
Janak Puri, New Delhi-58
Ph-25551020, 25551060

Authorized dealers for
VASU CHEMICALS
In technical collaboration
with PWT USA



OUR
MOST PRECIOUS CLIENTS

SOME MOST PRECIOUS CLIENTS OF BETA MASCHINENFABRIK PVT. LTD.

S. NO.	CLIENT	CONTRACTOR	PROJECT	ADDRESS
1	Uttarakhand PeyJal Nigam	Astha Enviro Projects Pvt. Ltd.	1 MLD STP	Rishikesh
2	Uttar Pradesh Jal Nigam	UEM India Pvt. Ltd (Toshiba Group Company)	74 MLD STP	Indrapuram
3	Bharat Heavy Electrical Limited	Clear Water Limited	ETP	TPP, Bhdradri
4	Bharat Heavy Electrical Limited	Clear Water Limited	ETP	PT Plant for 1X800 MW Kothagudam TPS
5	National Thermal Power Corporation Ltd.	NTPC Dadri	ETP	Dadri
6	Punjab Water Supply & Sewage Board	Gannon Dunkerley Coprporation Limited	4 MLD STP	Patiala Punjab
7	Punjab Water Supply & Sewage Board	Gannon Dunkerley Coprporation Limited	5 MLD STP	Patiala Punjab
8	Punjab Water Supply & Sewage Board	Gannon Dunkerley Coprporation Limited	2 MLD STP	Patiala Punjab
9	Punjab Water Supply & Sewage Board	Gannon Dunkerley Coprporation Limited	3 MLD STP	Patiala Punjab
10	Punjab Water Supply & Sewage Board	Gannon Dunkerley Coprporation Limited	3 STP	Mansa Bhatinda
11	Punjab Water Supply & Sewage Board	Gannon Dunkerley Coprporation Limited	3 STP	Mansa Bhatinda
12	Hindustan Organic Corporation Limited	HOCL Raigad Maharshtra	H2 Gas conveying	Raigad Maharshtra
13	Oil & Natural Gas Corporation Limited	ONGC Gujrat	ETP	Gujrat
14	Bhabha Atomic Research Centre	Bhabha Atomic Research Centre Mysore	Rare Material Project	Mysore
15	Meerut Development Authority	Disha Water Treatment Pvt. Ltd.	5 MLD STP	Meerut
16	Meerut Development Authority	Disha Water Treatment Pvt. Ltd.	6 MLD STP	Meerut
17	Meerut Development Authority	Disha Water Treatment Pvt. Ltd.	2 MLD STP	Meerut
18	Aligarh Munciple Corporation	Disha Water Treatment Pvt. Ltd.	1 MLD Slaughter	Aligarh
19	Bhopal Munciple Corporation	Disha Water Treatment Pvt. Ltd.	700 KLD ETP Slaughter	Bhopal
20	Hissar Munciple Corporation	Disha Water Treatment Pvt. Ltd.	300 KLD ETP Slaughter	Hissar
21	HSIIDC	UEM India Pvt. Ltd (Toshiba Group Company)	CETP	Manesar Gurgaon
22	Ludhiana Munciple Corporation	Micro Transmission System	1.5 MLD ETP	Ludiana Punjab
23	Bhilai Munciple Corporation	Micro Transmission System	1.5 MLD ETP	Bhilai
24	Sikkim Munciple Corporation	Micro Transmission System	1.5 MLD ETP	Sikkim
25	Shimla Munciple Corporation	Micro Transmission System	1 MLD ETP Slaughter	Shimla
26	Jindal Steel & Power Limited	JSPL Angul	700 KLD ETP	Angul
27	Binani Zinc Limited	Binani Zinc Limited	500 KLD ETP	Cohin Kerla
28	Perfetti Van Melle Srilanka	Perfetti Van Melle Srilanka	ETP	Srilanka
29	Spectra Foods & Beverage Pvt. Ltd.	Spectra Foods & Beverage Pvt. Ltd.	ETP	Vijaywada
30	Maharashtra Jeevan Pradhikaran	Sai Envirotech Engineers Chennai	STP	Chennai
31	Orient Paper & Industries Ltd (CK Birla Group)	Enviroway Bioscience Pvt.Ltd.	1.5 MLD ETP	Kolkata
32	Al Hamad Agro Food Pvt.Ltd	Aligarh	1.5 MLD ETP Slaughter	Aligarh
33	AKI India Limited	Envo Projects Delhi (Tennery Plant)	1.5 MLD ETP	Unnao

34	ALM Industries Limitd	ALM Industries Limitd (Slaughter House)	1.5 MLD ETP	Derabassi
35	Jodhpur Pradushan Niwaran Trust	Jodhpur	2 MLD STP	Jodhpur
36	Britannia Industries Ltd.	Pune	1 MLD ETP	Pune
37	Jones Lang LaSalle Building Operations Pvt. Ltd.	Jones Lang LaSalle Building Operations Pvt. Ltd.	300 KLD STP	Gurgaon
38	Jones Lang LaSalle Building Operations Pvt. Ltd.	Jones Lang LaSalle Building Operations Pvt. Ltd.	400 KLD STP	Gurgaon
39	Jones Lang LaSalle Building Operations Pvt. Ltd.	Jones Lang LaSalle Building Operations Pvt. Ltd.	500 KLD ETP	Gurgaon
40	Jones Lang LaSalle Building Operations Pvt. Ltd.	Jones Lang LaSalle Building Operations Pvt. Ltd.	400 KLD STP	Gurgaon
41	Indian Institue of Technology	IIT Delhi	450 KLD STP	Delhi
42	J&K Government Project	Dolphin Aqua Cure Pvt. Ltd. Delhi	1.2 MLD STP	Jammu & Kashmir
43	Minda Industries Limited	Minda Industries Limited	2 MLD STP	Uttrakhand
44	Dharampal Satyapal Group	Dharampal Satyapal Group	1 MLD STP	Uttar Pradesh
45	DLF Projects Limited	DLF Projects Limited	9 MLD STP	Haryana
46	Dabur India Limited	Dabur India Limited	ETP	Ghaziabad
47	Cushman & Wakefield Pvt. Ltd.	Cushman & Wakefield Pvt. Ltd.	100 KLD STP	Gurgaon
48	Hero Motor Corp.	Hero Motor Corp.	ETP	Noida
49	Honda Siel Power Products Ltd.	Honda Siel Power Products Ltd.	350 KLD ETP	Greater Noida
50	Eureka Forbes Ltd.	Eureka Forbes Ltd.	500 KLD ETP	Pune

PLEASE BE POSITIVE TOWARD US

THANKS



Contact us: 8826995792, 9555464777

Mail us: sales@betablowers.in